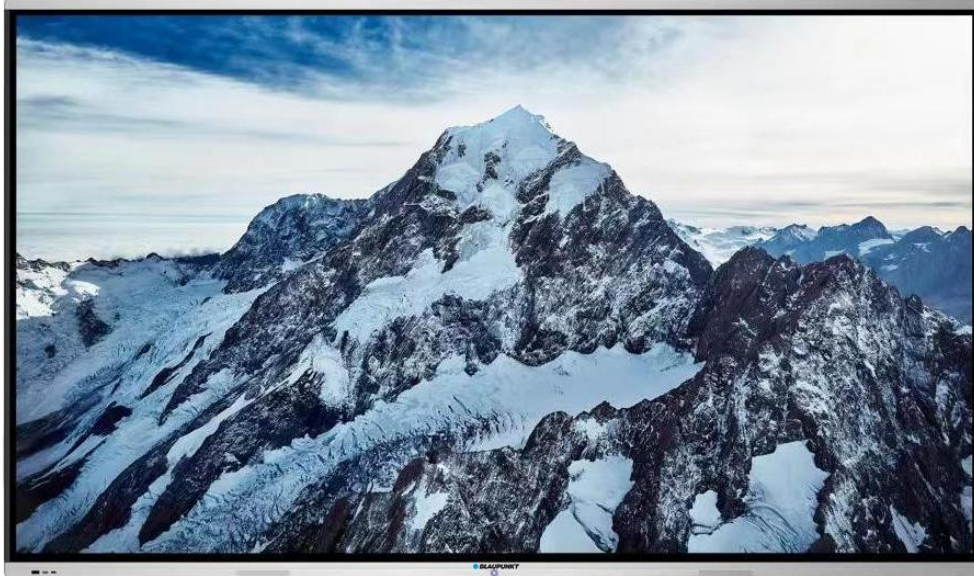


65" SMART INTERACTIVE WHITEBOARD DISPLAY

BP-IWB-65



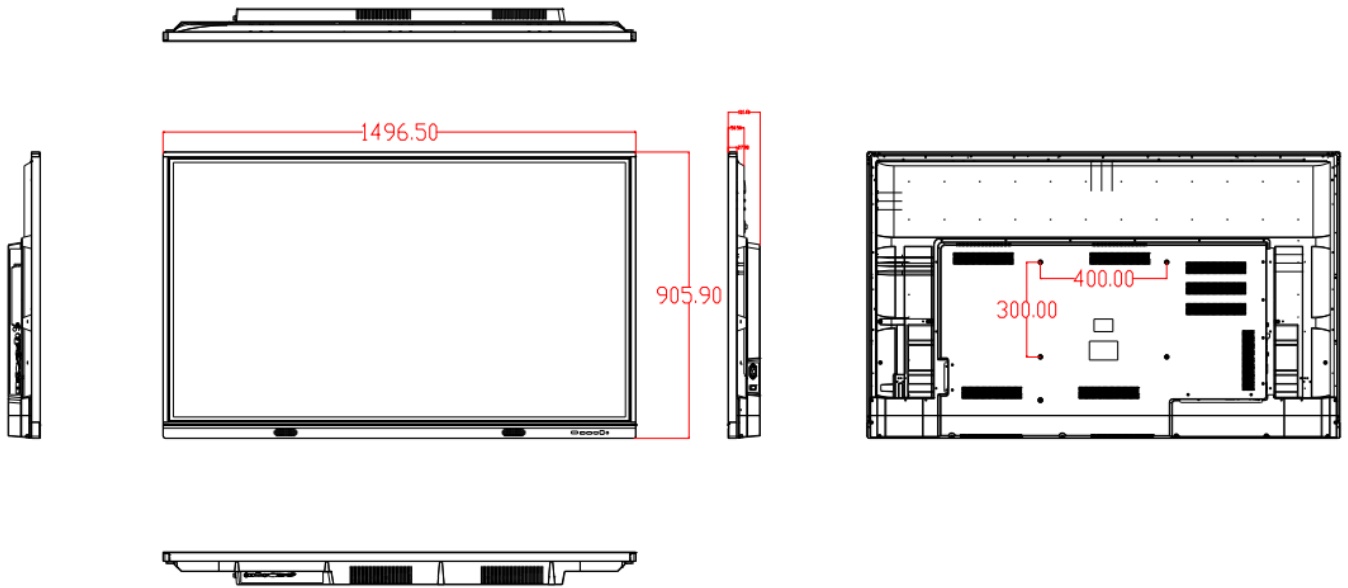
FEATURES

- Aluminum alloy frame, surface sandblasting and anodic oxidation treatment, iron shell back cover, active heat dissipation;
- 4mm physical toughened anti-riot high-transparency glass; enhance visual effects and enhance touch experience;
- High-speed 20-point infrared touch control, faster writing speed, and the best writing experience;
- Ultra-narrow sandblasted surface frame, ultra-narrow design, the surface frame of the whole machine is only 22mm on one side.
- Using the OPS slot of the international general standard, the integrated plug-in design is convenient for upgrading and maintenance. There is no visible external connection line of the computer module, and the body is beautiful;
- Front expansion port: 2-way PC-USB, which is convenient for users to expand and use.
- The one-button start switch on the front realizes the three-in-one TV, computer, and energy-saving integrated switch functions; the operation is convenient, and the appearance is simple and elegant.
- The front remote-control window is convenient for users to operate with the remote control and set up and debug the machine.
- The speaker is in front of the sound, and the honeycomb sound hole prevents the sound effect caused by the embedded environment.
- The Android motherboard and the PC end of the machine have built-in WIFI modules, which are convenient for users to perform wireless transmission and network operations through WIFI.
- Support the side-pull touch menu, support any channel writing, annotation, and screenshot functions; child lock function, the button function can be blocked by setting, etc.

PRODUCT PARAMETERS

Specification	
Product model	BP-IWB-65
Screen size	65 inches
Bare metal size	1496.50 (L) x 905.90 (H) x 101.40 (D) mm
Package Size	1626(L)*1060(H)*200(Thick)mm
Backlight	DLED backlight
Resolution	3840*2160
Brightness (cd/m ²)	350
Contrast Ratio	1200:1
Response Time (ms)	8
Display color	8 bit/16.7 billion
Viewing Angle (H/V)	178°/178°
Power	≤220W
Operating Voltage	100V ~ 240VAC, 50/60Hz
Speaker	8Ω10W*2
Net weight / Gross weight	About 46KG/55KG
System description	
CPU	Amlogic T982 and Mali G52 MP2
CPU Frequency	1.9GHz
RAM/ROM	DDR4: 4GB eMMC: 32GB
System Compatibility	Android 11.0
Interface description	
Front port	USB3.0* 2
Function port	HDMI * 1, USB 3.0*1, USB 2.0*1, RS232 *1, RJ45 *1, CVBS Video input *2, Earphone *1, coaxial output *1, CVBS Video output *1 TOUCH*1
WiFi	Wi-Fi 5, supports 5G/2.4G
WiFi performance	30m ² coverage, 20m transmission distance in open space
Bluetooth Version	5.0
Bluetooth Performance	12m transmission distance in open space
Touch description	
Touch points	WIN7 (Ultimate Edition) free drive 10 points, Android driver 6/10 points
Touch Accuracy	±2mm
Response time	4ms ~ 12ms
Identifiable object	≥Φ5mm non-transparent objects
Transmittance	Tempered glass 90%
Temperature range	Working temperature: 0°C ~ 60°C
Operating Voltage	DC5V
Working power consumption	≥1W

DIMENSIONS



PREVIEW OF PHYSICAL EFFECTS



Meeting room:



Classroom:

