



User Manual

CONVENTIONAL SOUNDER BEACON
BP-FD-CSIR316



Enjoy it.

BP-FD-CSIR316 Conventional Sounder Beacon

User Manual

I. Overview



BP-FD-CSIR316 Conventional Sounder Beacon can give audible and visual alarms after being connected to a DC24V power supply. It can be used with a bus-type fire alarm control panel through an output module. After receiving a start command given by the fire alarm control panel following an accident, the output module will start the Sounder Beacon. After that, the Sounder Beacon will give a dazzling visual alarm signal and a harsh audible alarm signal to remind the persons on the scene of the accident of the fact that a fire has occurred on the site quickly and the necessity to take related evacuation measures, thus preventing the fire accident from becoming a major one. The Sounder Beacon may be used to give audible alarms and visual alarms at the scenes of accidents. It is applicable to places like high-rise residential buildings, public places, hotels, amusement buildings, factories, shopping centers, hospitals, schools, office buildings and stock exchanges, and particularly to the places with a low visibility or the possibility of generation of smoke.

II. Product features

1. Meet both EN54-3 and EN54-23
2. Designed with an upper cover and a lower cover and installed on an independent base, it can be installed, debugged and maintained conveniently.
3. Suitable for wall and ceiling mount application
4. Providing 16 tones.
5. Highly efficient LED technology and specially designed lens
6. Light output synchronization.

III. Technical Specification

1. Executive Standard: EN54-3/EN54-23 Type A indoor
2. Operating voltage: DC24V(20V~28V)
3. Operating Current: $\leq 100\text{mA}@DC24\text{V}$
4. Sound output: $\geq 75\text{dB(A)}$ @ 1m(Tone 1).
5. Number of tones: 16
6. EN54-23 coverage: C-3-8/W-2.4-6
7. Flash rate: 0.5Hz
8. Flash color: white
9. Light output synchronization: meets EN54-23
10. Protection class: IP21C
11. Operating temperature: $-10^{\circ}\text{C} \sim +55^{\circ}\text{C}$ Relative Humidity: $\leq 95\%$ (non-condensing)

12. Material Lens/Body: Flame retardant PC/ABS
13. Dimension: $\phi 100\text{mm} \times 100.5\text{mm}$ (with base), See Fig1.
14. Weight: about 266g

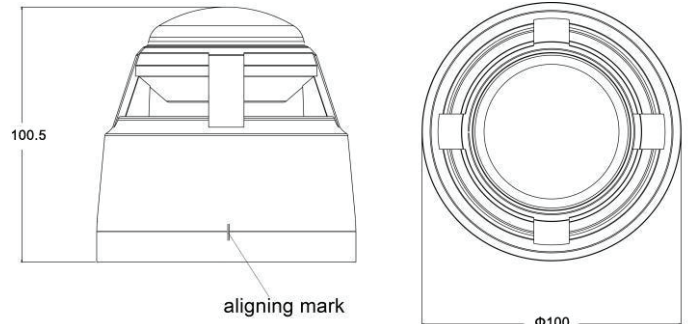


Fig.1

IV. Tone Setting

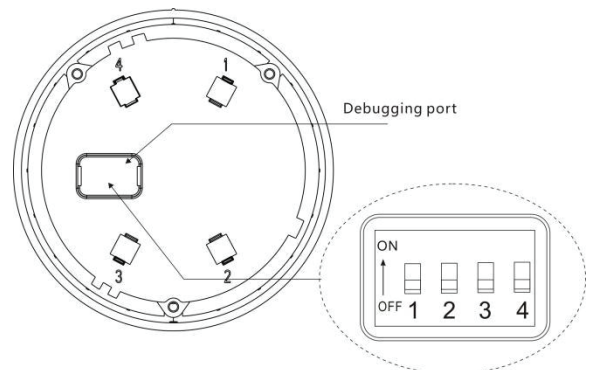


Fig.2

The tone of the sounder beacon can be set by the 4-way DIP switch, which is at the back of the main body (see Fig. 2). For more detail, please refer to the Tone Table.

Tone Table		
Tone	Switch	Description
1	0,0,0,0	667Hz-2000Hz@0.22Hz
2	1,0,0,0	970Hz
3	0,1,0,0	800Hz/970Hz@2Hz
4	1,1,0,0	800Hz-970Hz@1Hz
5	0,0,1,0	970Hz 1s off/ 1s on
6	1,0,1,0	970Hz 0.5s/ 630Hz,0.5s
7	0,1,1,0	500Hz-1200Hz $\times 3, 3.5\text{s on} / 0.5\text{s off}$
8	1,1,1,0	2840Hz,0.5s on/0.5s off $\times 3 / 1.5\text{s off}$
9	0,0,0,1	2840Hz,0.4s on,0.3s off
10	1,0,0,1	550Hz,0.7s/1000Hz,0.33s
11	0,1,0,1	1500Hz-2700Hz@3Hz
12	1,1,0,1	2400Hz
13	0,0,1,1	500Hz~1200Hz@0.33Hz
14	1,0,1,1	2400Hz-2900Hz@9Hz
15	0,1,1,1	2400Hz-2900Hz@3Hz
16	1,1,1,1	500Hz-1200Hz,3.75s on/0.25s off

Note: e.g. "1,0,0,0" means "Switch 1 is ON, Switch 2~4 are OFF".

V. Installation

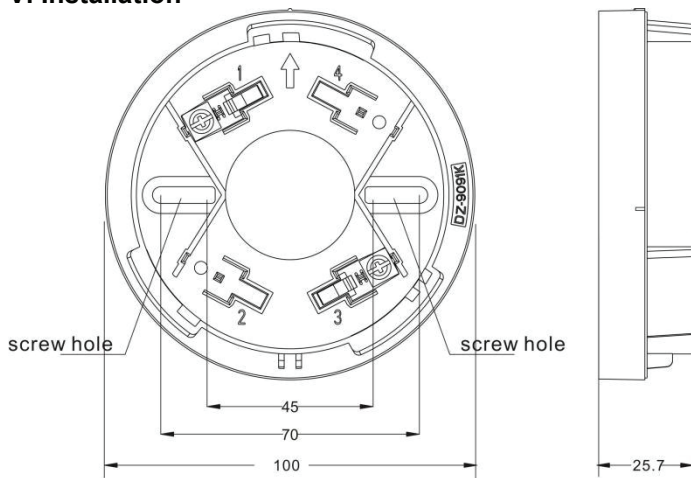


Fig. 3 Base and wiring diagram

1. Use two M4 screws to fix the DZ-9091K base via the two elliptic screw holes(see Fig.3), then connect the power cables with the Terminal 1& 3 (1 connected with positive,and 3 with negative.1.5mm² or above fire cable for the power input is recommended.), finally twist the main body onto the base.
2. If the sounder Beacon is required to be tamper-proof, fix it with ST2.9×5 self- tapping screws through the tamper-proof hole (see Fig. 4)on the base.

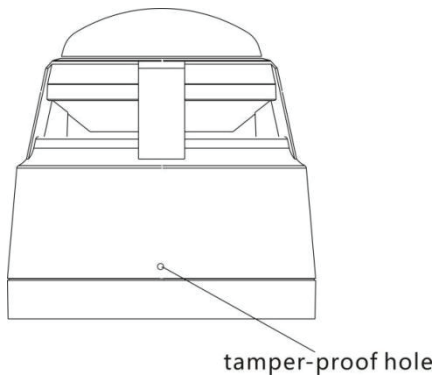


Fig. 4

VI.Sound Level Data(EN54-3 approved)

Tone1:667Hz-2000Hz@0.22Hz,MaxVolume,dB(A)@1m

Angle	Horizontal		Vertical	
	20V	28V	20V	28V
15°	77.5	81	78.1	81.4
45°	77.9	81.1	78.4	81.7
75°	84.4	88.1	84.8	88.6
105°	84.6	87.7	84.7	87.9
135°	77.3	80.4	76.6	80
165°	77.9	81.3	77.5	81.5

VII.Coverage Volume(EN54-23 approved)

C-3-8			
X	Z	V(m ³)	
8m	3m	150.8	

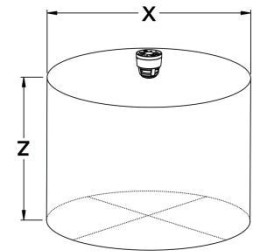


Fig. 5 Ceiling mount coverage volume

W-2.4-6			
X	Y	Z	V(m ³)
6m	6m	2.4m	86.4

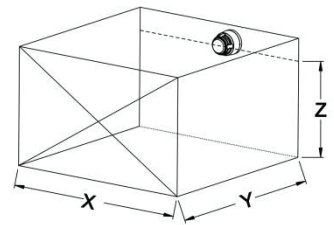


Fig. 6 Wall mount coverage volume



For Inquiries, Please contact:

Security Shop

Vladimira Popovica 6/6/A606

11070 Novi Beograd, Serbia

Tell: +381 11 318 68 68

office@securityshop.rs

Imported/Distributed by Security Shop doo

BLAUPUNKT and the BLAUPUNKT logo are trademarks of
TALISMAN BRANDS (Luxembourg) S.A.R.L. and are used
under license from Talisman Brands, Inc.

BLAUPUNKT licensees are solely responsible for
the BLAUPUNKT branded products manufactured,
distributed and sold under license.

www.blaupunkt.com