

## Wired siren

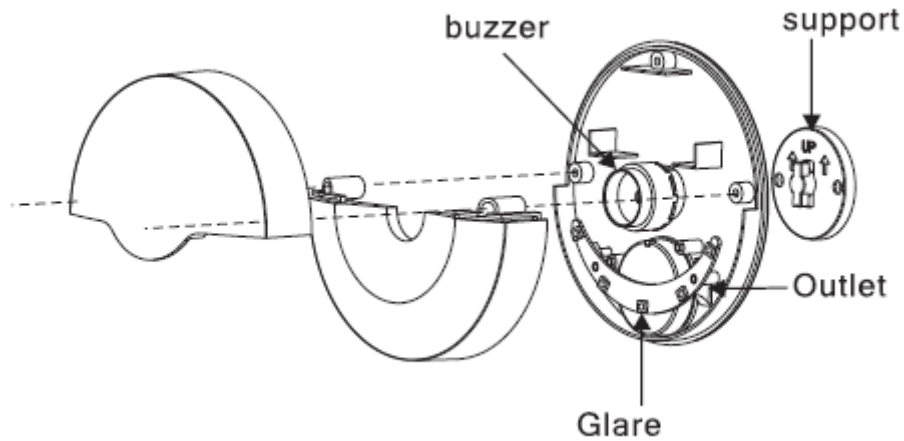
### BP-ISIR01



### Technical specifications

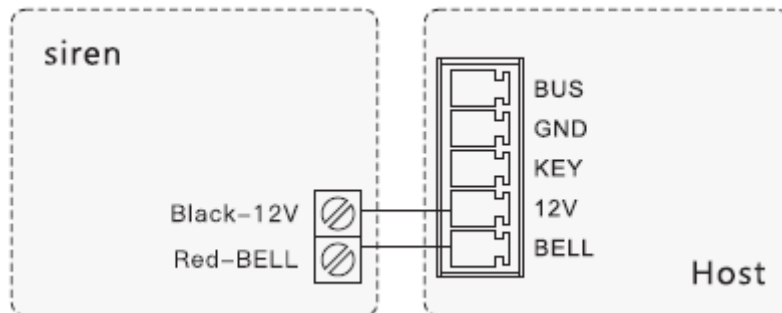
- Static current:  $\leq 25\mu\text{A}$
- Buzzer alarm time: 3min
- Size:  $\varnothing 134 * H48\text{mm}$
- Alarm current:  $< 80\text{mA}$
- Alarm loudness: 110dB

## Structure diagram



## Installation wiring:

Wiring: Please refer to the wiring label of the host to access



- A. Use two screws to fix the bracket to the wall;
- B. Align the position of the siren and the buckle of the bracket and turn it clockwise 90°.

