

WIRELESS OUTDOOR TRIPLE BEAM DETECTOR 60M, RF 500M

BP-WBD60-3B



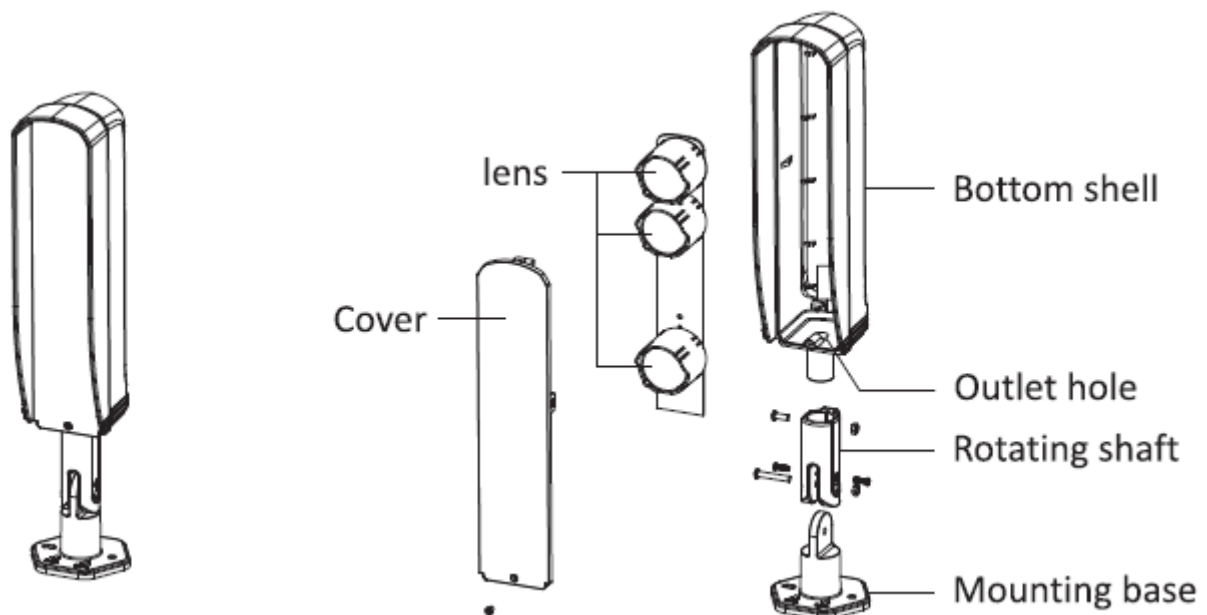
FEATURES

- All in one pure wireless design, free cable, easy for installation and connection.
- Low Power consumption, low current, long standby time, battery life>2.5years
- As soon as Voltage <2.9V, detector output low voltage alert to user.
- Frequencies support 4Channels, selectable for long distance and stacking installations
- Interruption time: 50ms-700ms adjustable, able to set it depend on different environment
- Different mode with indicator with different color, simple and accurate optical correction
- Digital filters, high environment adaptability to eliminate false alarm.
- Waterproof grade: IP65
- Alignment angle horizontally 360° (+180°), vertically 180° (+90°);
- The design of the brim extending outward makes the anti-sunlight interference ability stronger

SPECIFICATION

Model: BP-WBD60-3B	
Technical Parameters	
Detection distance	60m
Wireless frequency	433MHz default (zigbee/868 mhz is available)
Transmission distance	100m (in the open air)
Detection Method	Simultaneous interruption of 3 infrared beams
Interruption time	50ms ~ 700ms (adjustable)
Battery Voltage	3.6V
Frequencies	4CH Frequencies selectable (TX + RX must be same freq)
Alarm Period	≥6s
Working current	RX:200ua TX:320ua
Battery endurance	2.5 years
IP Grade	
Working temperature	-25°C ~ +55°C
Humidity	95%RH Max
Correction angle	Horizontal 360° (±180°), Vertical adjustable 180° (±90°)
Installation location	Indoor / Outdoor, wall / pole
Weight	1070g
Accessories	
Wall mounting screws	4X KA4*30mm
Expansion pipe	4*Ø6*28mm, white

PRODUCT DIAGRAM



DIMENSIONS

