



YLI ELECTRONIC

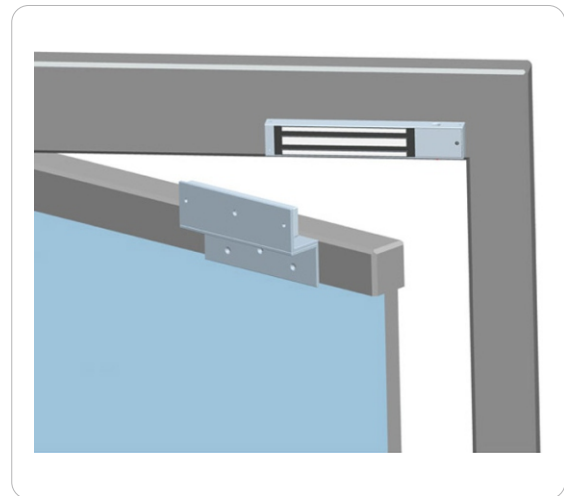
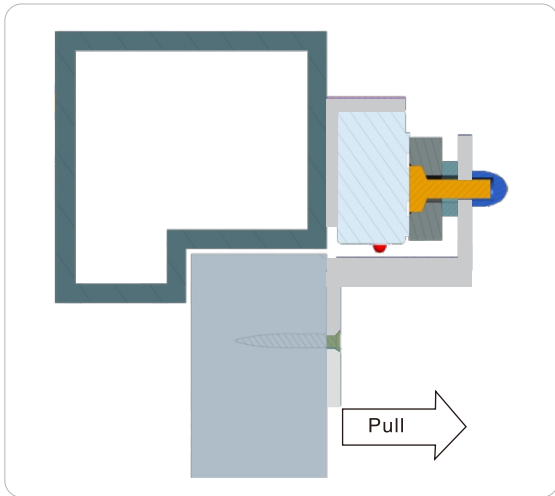


ZL Bracket for Magnetic Lock

MBK-500NZL

Installation

- A. For in-swing door, install the lock body inside and then need to install the ZL bracket at the same time.
- B. Discharge the mounting plate from lock body.
- C. Fix the L bracket on the door frame and then fix the lock body on the L bracket .
- D. Assemble the Z bracket and then fix it on the door frame
- E. Fix the armature plate on the Z bracket



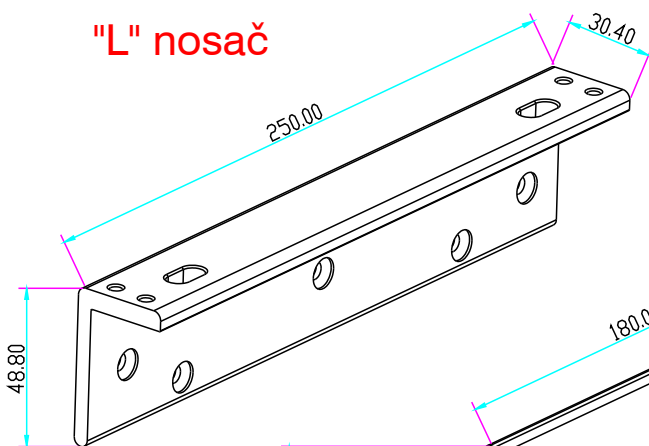
L: 185x41.8x25.4(mm), Z: 130x38x38(mm), (MBK-180NZL)

L: 250x48.8x30.4(mm), Z: 180x50x50(mm) (MBK-280NZL)

L: 260x54.7x32.5(mm), Z: 189x57x50(mm) (MBK-350NZL)

L: 265x73x45(mm), Z: 185x70x61(mm) (MBK-500NZL)

"L" nosač



"Z" nosač

