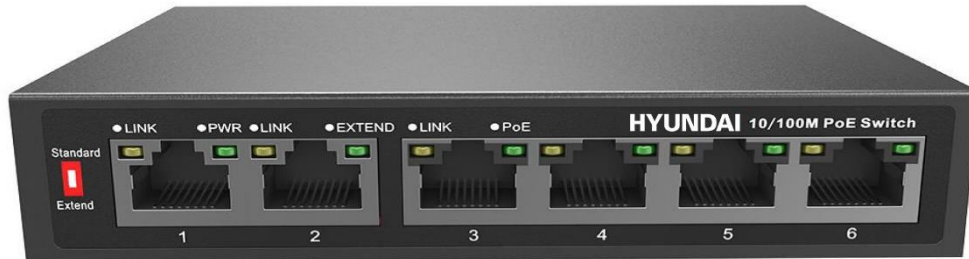


# 6-Port 10/100Mbps POE Switch

## HYU-NE-SW-U4PL001



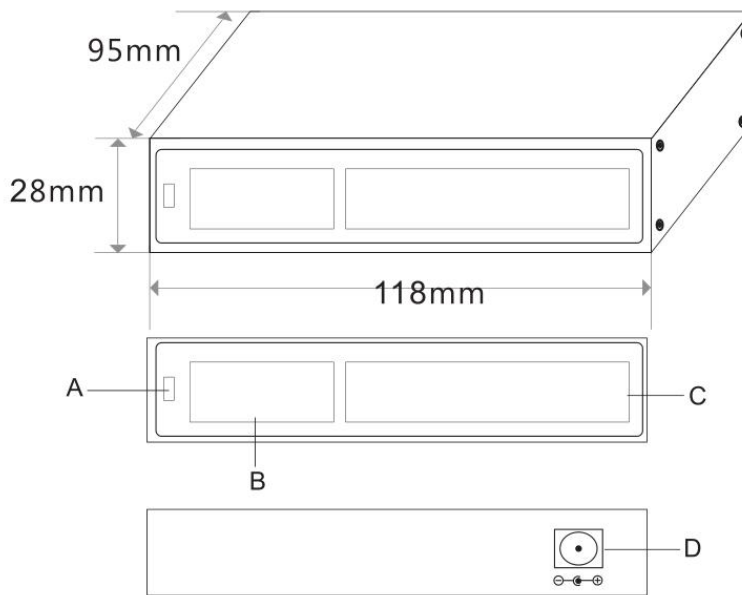
### Key Features

- 10/100Mbps access, dual RJ45 port uplink
  - 6\*10/100Base-TX RJ45 port and uplink dual RJ45 ports, which is more convenient for users to flexibly set up to meet the network requirements of various scenarios.
  - Support non-blocking wire speed forwarding.
  - Support full duplex based on IEEE802.3x and half duplex based on backpressure.
- Smart PoE function
  - 4\*10/100Base-TX RJ45 ports, meeting the needs of security monitoring, teleconferencing system, wireless coverage, and other scenarios
  - IEEE 802.3af/at PoE standard, without damaging non-PoE devices.
- Innovative features
  - Long-distance file: When turned on, the rate of port 3-6 is reduced to 10M. Using the existing twisted-pair cable, the limit of 100 meters of twisted-pair transmission can be exceeded, and the transmission distance can reach up to 250 meters; on the other hand, can solve the problem of poor transmission due to aging of the line
  - Video Surveillance Mode: Open with long-distance switches. Port 3-6 are isolated from each other but communicate with ports 1-2 to prevent DHCP conflicts, optimize port cache utilization, and reduce broadcast storms.
- Stable and reliable, easy to operate
  - Low power consumption, galvanized steel casing, no fan.
  - Self-developed power supply, high redundancy design, providing a long term and stable PoE power output.
  - CCC CE, FCC, RoHS.
  - Plug and play, no configuration, simple and convenient.
  - The user-friendly panel, it can show the device status through the LED indicator of PWR, Link, PoE.

### Specification

Model	HYU-NE-SW- U4PL001
<b>Interface Characteristics</b>	
Interface	4*10/100/1000Base-T PoE ports (Data /Power) 2*1000Base-X uplink SFP slot ports (Data)
Ethernet Port	Port 1-6 can support 10/100Base-TX automatic detection, full/half Duplex MDI/MDI-X adaptive
Twisted Pair Transmission	10BASE-T: Cat3,4,5 UTP (≤250 meter) 100BASE-TX: Cat5 or later UTP (≤100 meter)
Functional Switch	1*(Extender + CCTV) Note: When the switch status changes, the PoE switch must be restarted for the switch function to take effect
<b>Chip Parameter</b>	
Network Protocol	IEEE802.3 10BASE-T, IEEE802.3i 10Base-T IEEE802.3u 100Base-TX, IEEE802.3x
Forwarding Mode	Store and Forward (Full Wire Speed)
Switching Capacity	1.6Gbps(non-blocking)
Forwarding Rate@64byte	0.89Mpps
MAC	1K
Buffer Memory	768K
LED Indicator	Power: PWR (green), network: Link (yellow), PoE: PoE (green) Functional switch: EXTEND (green)
<b>PoE &amp; Power Supply</b>	
PoE Port	Port 3 to 6 IEEE802.3af/at @ POE
Power Supply Pin	Default 1/2(+), 3/6(-), optional 4/5(+), 7/8(-)
Max Power Per Port	30W; IEEE802.3af/at
Total PWR / Input Voltage	65W/ 52VDC
Power Consumption	Standby: <4W, Full load: <65W
Power Supply	External power adaptor: AC100 ~ 240V, 50-60Hz 1A
<b>Physical Parameter</b>	
Operation TEMP/ Humidity	-20°C ~ +55°C; 5% ~ 90% RH Non condensing
Storage TEMP/ Humidity	-40°C ~ +75°C; 5% ~ 95% RH Non condensing
Dimension (L*W*H)	118*95*28mm
Net /Gross Weight	<0.4kg / <0.9kg
Installation	Desktop, wall mounted
<b>Certification &amp; Warranty</b>	
Lighting protection/ protection level	Lightning protection: 4KV 8/20us; Protection level: IP30
Certification	CCC; CE mark, commercial; CE/LVD EN60950; FCC Part 15 Class B; RoHS
Warranty	3 years, lifelong maintenance

## Dimension



- A. Multi-function Switch
- A. 2\* 10/100M Uplink RJ45 Ports
- B. 4\* 10/100/1000M PoE Ports
- C. Power Input Port DC48-57V

## Application

