

## **Network Video Recorder**

### **BP-NVR-3104-4P**



### **Key Features**

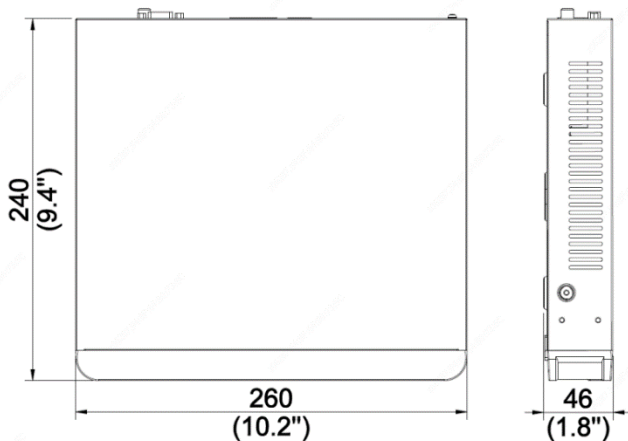
- Support Ultra 265/H.265/H.264 video formats
- 4-channel input
- Plug & play with 4 independent PoE network interfaces
- Support mainstream cameras of ONVIF conformance (Profile S, Profile G, Profile T) and RTSP protocols
- Support 1-ch HDMI, 1-ch VGA, HDMI at up to 4K(3840x2160) resolution
- HDMI and VGA simultaneous output
- Up to 4K resolution recording
- 1 SATA HDDs, up to 8 TB
- Support cloud upgrade

## Specification:

Video / Audio Input	
IP Video Input	4-ch
Video / Audio Output	
HDMI / VGA Output	<b>HDMI:</b> 4K(3840x2160)/30Hz, 1920x1080/60Hz, 1920x1080/50Hz, 1600x1200/60Hz, 1280x1024/60Hz, 1280x720/60Hz, 1024x768/60Hz <b>VGA:</b> 1920x1080/60Hz, 1920x1080/50Hz, 1600x1200/60Hz, 1280x1024/60Hz, 1280x720/60Hz, 1024x768/60Hz
Recording Resolution	4K/5MP/4MP/3MP/1080p/960p/720p/D1/2CIF/CIF
Audio Output	1-ch, RCA
Audio Compression	G.711A, G.711U
Synchronous Playback	4-ch
Live view display	1/4
Corridor Mode Screen	3/4
Network	
Incoming Bandwidth	64Mbps
Outgoing Bandwidth	48Mbps
Remote Users	128
Protocols	TCP/IP, P2P, UPnP, NTP, DHCP, PPPoE, HTTP, HTTPS, DNS, DDNS, SMTP, RTSP
Snapshot	
FTP/Schedule/Event Snapshot	1-ch snapshot, up to D1 resolution
Hard Disk	
SATA	1 SATA interfaces
Capacity	Up to 8TB for each disk (The maximum HDD capacity varies with environment temperature)
Decoding	
Decoding format	Ultra 265/H.265/H.264
Live view/Playback	4K/5MP/4MP/3MP/1080p/960p/720p/D1/2CIF/CIF
Capability	1 x 4K@30, 4 x 5MP@25, 4 x 4MP@25, 4 x 3MP@25, 4 x 1080p@30
External Interface	
Network Interface	1 RJ-45 10M/100Mself-adaptive Ethernet Interface
USB Interface	Rear panel: 2 x USB2.0
RS232	N/A
RS485	N/A
Alarm In	N/A
Alarm Out	N/A
General Alarm	
General Alarm	Motion, Tampering, Human Body Detection, Video Loss, Alarm Input
Alert Alarm	IP Conflict, Network Disconnected, Disk Offline, Disk Abnormal, Illegal Access, Hard Disk Space Low, Hard Disk Full, Recording/Snapshot Abnormal

Smart	
VCA Search	Face Search, Behavior Search
VCA Detection by Camera	Face Detection, Intrusion Detection, Cross Line Detection, Enter Area, Leave Area, Audio Detection, Ultra Motion Detection (UMD)
Smart Intrusion Prevention (SIP), Face Detection, UMD by Camera	Total 4-ch
Certifications	
Certification	CE, FCC, UL, RoHS, WEEE
CE	EN 55032: 2015, EN 61000-3-3: 2013, EN IEC 61000-3-2: 2019, EN 55035: 2017
FCC	Part15 Subpart B, ANSI C63.4
PoE	
Interface	4 RJ-45 10M/100M self-adaptive Ethernet Interface
Max power	Max 30W for single port Max 54W in total
Supported Standard	IEEE 802.3at, IEEE 802.3af
General	
Power Supply	48V DC Power Consumption: ≤9 W (without HDD)
Working Environment	-10°C ~ +55°C (+14°F ~ +131°F), Humidity ≤ 90% RH (non-condensing)
Dimensions (W × D × H)	260mm × 240mm × 46 mm (10.2" × 9.4" × 1.8")
Weight (without HDD)	≤1.1kg (2.43lb)

## Dimensions



## Rear Panel

