

Tripod Turnstile

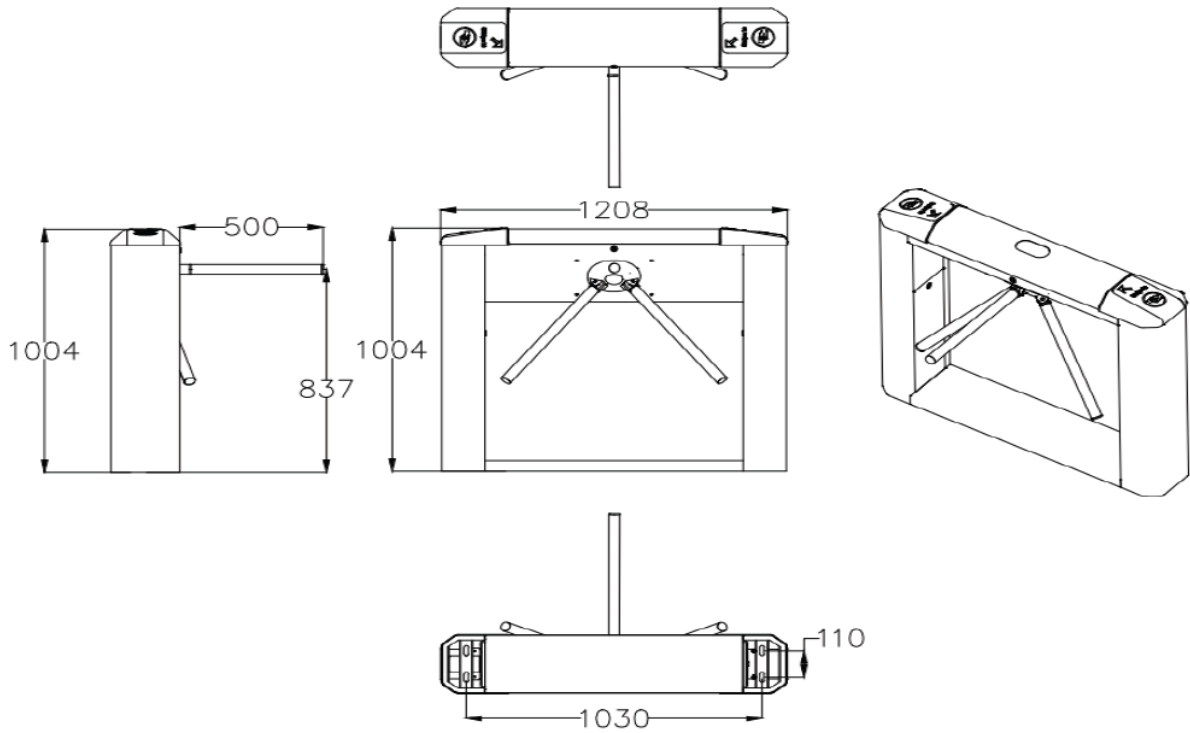
BP-TT303



Specifications

- Material: SUS304
- Dimension: 1208*244*1004
- Voltage: 220V + 10%, 50Hz/60Hz
- Input voltage: +24V level signal or pulse signal greater than 100ms
- Drive current: less than 10mA
- Arrow indicator light: circuit 1 voltage control or high/low level control indicator
- Input port: circuit 2 opening signal
- Working temperature: -30°C ~ 80°C
- Relative humidity: ≤95%
- Arm: 50MM
- Arm Turning: Uni-direction or Bi-direction
- Reset time: 10s (default)
- Emergency measure: free passage after power cut

Dimensions



Note: This model can be freely combined into single-channel, dual-channel, and multi-channel. The standard passage width of this model is 550mm.

