

DSP602EN

6.5 Inch Fireproof Ceiling Speaker



Description

Equipped with a 6.5" unit, full-range designed loudspeaker with magnetic circuit encapsulated with special engineering plastic process, the DSP602EN adopts the fashionable thin-edge plane big cylinder and the carbon alloy aluminum mesh design with the RAL white coating. High-quality fireproof rear cover ensures normal output of sound to provide people with a sense of security, which can be used in factories, office buildings, shopping malls, residential buildings and other places.

Features

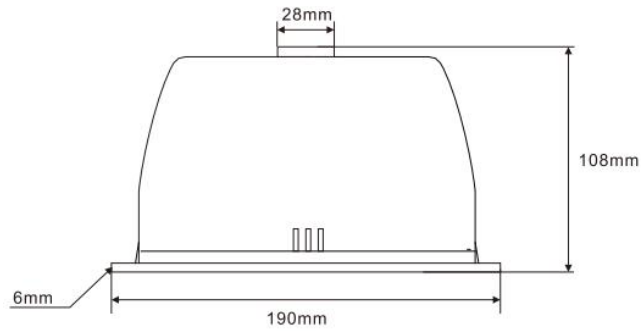
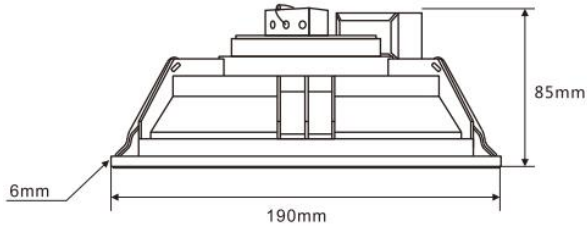
- RMS power: 6W
- Standards:EN54-24: 2008 Loudspeaker for voice alarm system for fire detection and fire alarm system
- Environmental class:EN54-24
- Transformer:100V, 6W-3W-1.5W
- In axis frequency response(± 7 dB):90-18KHz
- Sensitivity(@1m, 1W):91 dB SPL (200Hz-10kHz pink noise)
- SPL max(@1m, 1W) :99dB (200Hz-10kHz pink noise)
- Impedance at 1KHz :180 Ω (6W), 310 Ω (3W), 940 Ω (1.5W)
- Dimensions: \varnothing 190mm-P=108mm

Specifications

Model	DSP602EN
Standards	EN44-24: 2008 Loudspeaker for voice alarm system for fire detection and fire alarm system
Environmental Class EN54-24	Type A, indoor places
Protection Grade EN60529	IP21C
Ways/Speakers/Type	1 way, double cone full range \varnothing 156mm, 100V system
Transformer	100V, 6W-3W-1.5W
In axis frequency response(± 7 dB)	90-18000Hz
Sensitivity (@1m, 1W)	91 dB SPL(200Hz-10kHz pink noise)
Coverage angle 1kHz(HxV)	180°
SPL max (@1m, Pmax)	99dB(200Hz-10kHz pink noise)

Nominal power	6W
Impedance at 1000Hz	180Ω(6W),310Ω(3W),940Ω(1.5W)
Dimensions	Ø190mm-P=108mm
Hole diameter	Ø 168-172mm
Weight	1.0Kg
Material	Flame retarding ABS
Connections	Ceramic connector and thermal fuse

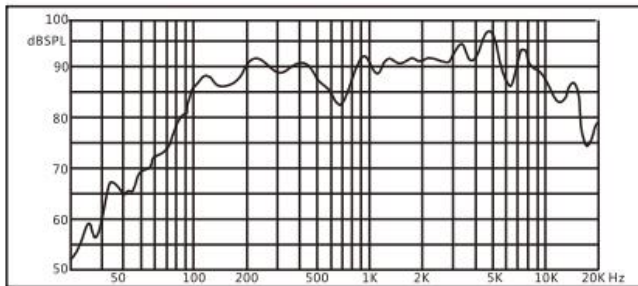
Product Information



Back cover and rear view



FREQ. RESPONSE
(dB SPL, 1W, 1m)



DISTORTION
(THD < 1.5% 1W, 1m, 200Hz-10kHz)

