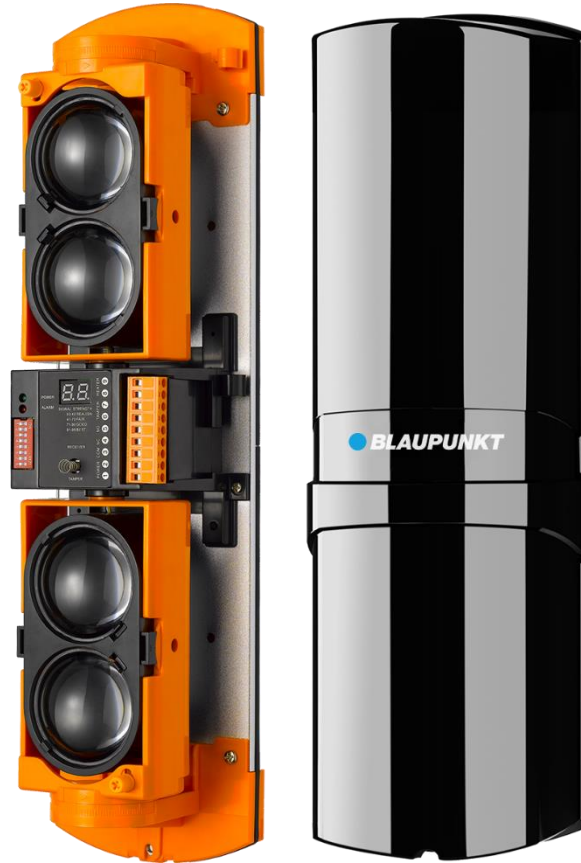


## OUTDOOR DETECTOR QUAD BEAM

### BP-QPIR100L



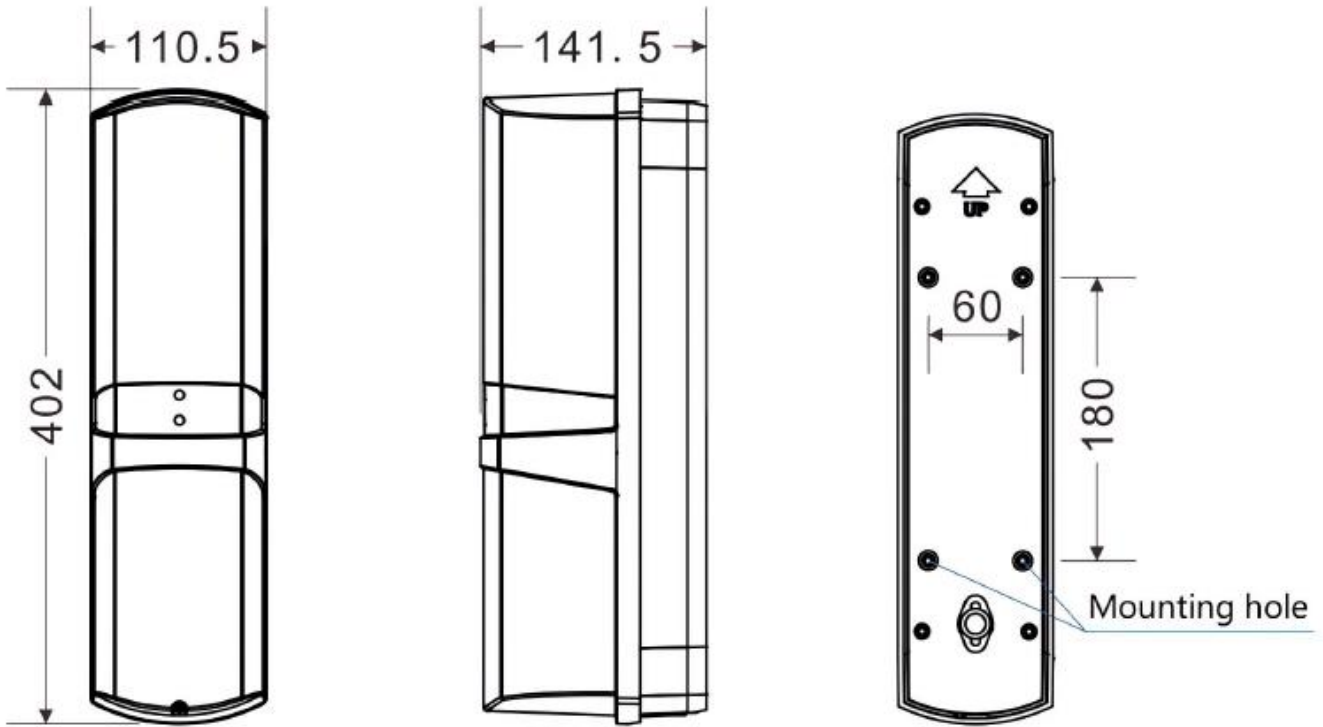
### FEATURES

- Using wireless transmission technology, there is no need for wiring and installation is simple.
- Low power consumption, battery life up to 3 years.
- 4 frequency channels technology and has strong anti-interference ability.
- The interruption time is adjustable (50ms, 100ms, 300ms and 700ms).
- Digital CPU control circuit reduces false alarms.
- Infrared signal secondary processing function, stable and reliable in use.
- Designed with IP65 waterproof rating.
- Supports blocking alarm, tamper alarm and low battery alarm.
-

## SPECIFICATION

Model: BP-QPIR100L		
Technical Parameters		
Detection distance	100m	
Alarm output	Blocking alarm	When the infrared beams are completely blocked
	Tamper alarm	When the device cover is removed
	Low battery alarm	When the battery voltage is lower than 3V
Wireless distance and frequency	Please refer to the instruction manual of the wireless launch module	
Interruption time	50ms, 100ms, 300ms and 700ms adjustable	
Battery voltage	3.6V (Recommended battery model: ER34615H 3.6V 19A)	
Frequency channel	4 options available	
Alarm duration time	2s	
Operating current	TX: 420uA; RX: 220uA	
Battery life	3 years (3 years of battery life when the TX and RX are each equipped with 1 battery, 6 years of battery life when the TX and RX are equipped with 2 batteries each)	
Protection rating	IP65	
Operating temperature	-40°C ~ +70°C	
Operating humidity	≤95%RH	
Correction angle	Horizontal ±90°, vertical ±10°	
Installation	Indoor / Outdoor, wall/pole installation	
Dimensions	402 x 110.5 x 141.5mm	
Weight (including TX, RX, packaging, 2 batteries)	3.9kg	
Accessories		
U-shaped mounting clamp	4pcs	
Wall mounting screws	KA4*30mm, 8pcs	
Expansion tube	6*30mm, 8pcs	

## DIMENSIONS



Unit: mm

## IDENTIFICATION DIAGRAM

