

## NETWORK VIDEO RECORDER HYU-CC-RH2112002



### Key Features

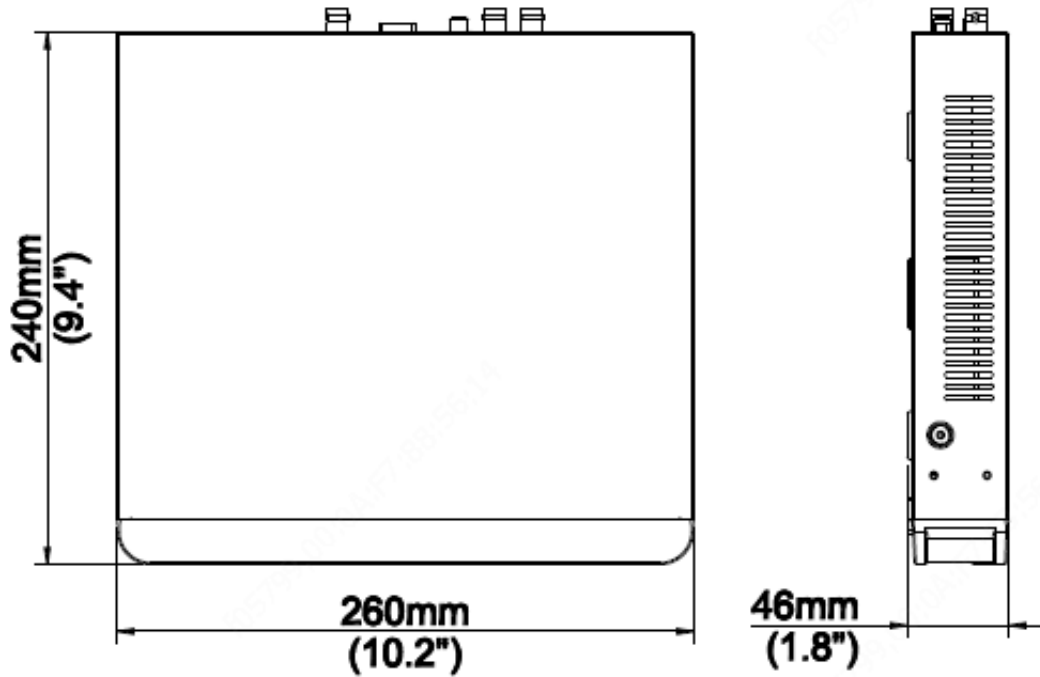
- Support H.265/H.264 video formats
- Support audio over coaxial cable
- Support TVI, AHD, CVI, CVBS, IP cameras with adaptive access
- 8-channel BNC input
- Support 1-ch HDMI output, 1-ch VGA, HDMI at up to 4K (3840 x 2160) resolution
- Long transmission distance over coax cable

### Specifications

Model	HYU-CC-RH2112002
<b>Video/Audio Input</b>	
Analog Video Input	8-ch, BNC
IP Video Input	4-ch (only IP up to 12ch), each channel up to 4K
Supported Analog Camera Types	<p><b>Support AHD input:</b>              8MP@15fps              5MP@20fps              4MP@30fps              3MP@30fps(channel1-channel2)              1080P@30fps              720P@60fps</p> <p><b>Support TVI input:</b>              8MP@15fps              5MP@20fps              4MP@30fps              3MP@20fps(channel1-channel2)              1080P@30fps              720P@60fps</p> <p><b>Support CVI input:</b>              8MP@15fps              5MP@20fps              4MP@30fps              1080P@30fps              720P@30fps</p> <p><b>Support CVBS input</b></p>
Audio Input	1-ch, RCA
Two-way Audio	1-ch, RCA
<b>Video/Audio Output</b>	
CVBS Output	1-ch, BNC
VGA Output	1920x1080p/60Hz, 1920x1080p/50Hz, 1600x1200/60Hz, 1280x1024/60Hz, 1280x720/60Hz, 1024x768/60Hz
HDMI Output	3840 x 2160/30Hz, 1920x1080p/60Hz, 1920x1080p/50Hz, 1600x1200/60Hz, 1280x1024/60Hz, 1280x720/60Hz, 1024x768/60Hz
Audio Output	1-ch, RCA
Synchronous Playback	8-ch
<b>Network</b>	
Incoming Bandwidth	56Mbps
Outgoing Bandwidth	64Mbps
Remote Users	128
Protocols	TCP/IP, P2P, UPnP, NTP, DHCP, PPPoE
<b>Encoding</b>	
Recording Resolution	8MP Lite/5MP Lite/4MP Lite /1080P/960P/720P/960H/D1/4CIF/CIF
Recording Frame Rate	<p><b>Main stream:</b>              8MP Lite@8fps              5MP Lite@12fps              4MP Lite@15fps              3MP@15fps(channel1-channel2)              1080P@15fps              720P@30fps</p> <p><b>Sub stream:</b>              D1@12fps (Max)</p>

Hard Disk	
SATA	1 SATA interface
Capacity	Up to 6TB for each HDD
Smart	
VCA Detection	2-ch Intrusion detection and cross line detection on analog camera
VCA Search	Behavior search on analog camera
External Interface	
Network Interface	1 RJ45 10M/100M self-adaptive Ethernet Interface
USB Interface	Rear panel: 2 x USB2.0
Serial Interface	1 x RS485
General	
Power Supply	12V DC Power Consumption: ≤8 W (without HDD)
Dimensions (W×D×H)	260mm × 240mm × 46mm (10.2" × 9.4" × 1.8 ")
Weight (without HDD)	≤1.1kg (2.42lb)
Working Environment	-10°C ~ +55°C (+14°F ~ +131°F), Humidity ≤ 90% RH (non-condensing)

## Dimensions



## Rear Panel

