

# NETWORK VIDEO RECORDER

## HYU-CC-RH216002



### Key Features

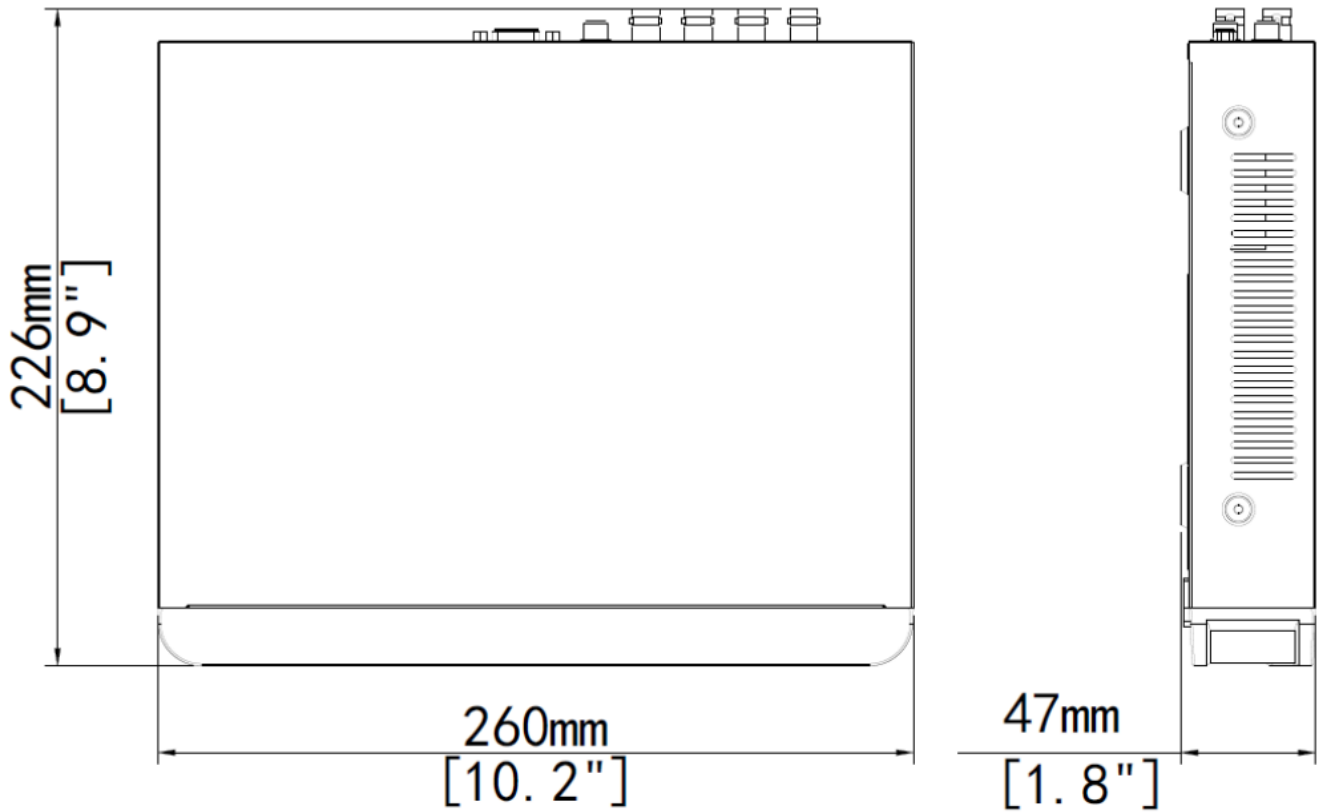
- Support H.265/H.264 video formats
- Support audio over coaxial cable (only for TVI cameras)
- Support TVI, AHD, CVI, CVBS, IP cameras with adaptive access
- 4-channel BNC input
- Support 1-ch HDMI output, 1-ch VGA output at up to 1920\*1080
- Long transmission distance over coaxial cable
- Support mainstream cameras of ONVIF and RTSP protocols

### Specifications

Model	HYU-CC-RH216002	
<b>Video/Audio Input</b>		
Analog Video Input	4-ch, BNC	
IP Video Input	2-ch (only IP up to 6ch), each channel up to 4K	
Supported Analog Camera Types	<b>Support AHD input:</b> 5MP@20fps 4MP@30fps 1080P@30fps 720P@60fps <b>Support TVI input:</b> 5MP@20fps 4MP@30fps 1080P@30fps 720P@60fps <b>Support CVI input:</b> 5MP@20fps 4MP@30fps 1080P@30fps 720P@30fps <b>Support CVBS input</b>	
Audio Input	1-ch, RCA	
Audio Compression	G.711U	
<b>Video/Audio Output</b>		
VGA Output	1920x1080p/60Hz, 1920x1080p/50Hz, 1600x1200/60Hz, 1280x1024/60Hz, 1280x720/60Hz, 1024x768/60Hz	
HDMI Output	1920x1080p/60Hz, 1920x1080p/50Hz, 1600x1200/60Hz, 1280x1024/60Hz, 1280x720/60Hz, 1024x768/60Hz	
Audio Output	1-ch, RCA	
Synchronous Playback	HD:2-ch SD:4-ch	
Live view display	HDMI/VGA: 1/4/6/8/9	
Two-way Audio	1-ch, RCA	
<b>Network</b>		
Incoming Bandwidth	16Mbps (Up to 24Mbps after all analog channel conversion)	
Outgoing Bandwidth	48Mbps	
Remote Users	128	
Protocols	TCP/IP, P2P, UPnP, DHCP, HTTP, HTTPS, DNS, DDNS, SMTP	
Browser	IE(IE10/11) for Windows Firefox (version 52.0 and above) for Windows Chrome (version 45 and above) for Windows Edge (version 79 and above) for Windows	
<b>Encoding</b>		
Recording Resolution	5MP Lite/4MP Lite/1080P/720P/CIF	
Audio Sample Rate	8KHz,16 bit per channel	
Audio Bit Rate	64Kbps per channel	
Recording Frame Rate	<b>Main stream:</b>	<b>Sub stream:</b>
	5MP Lite@12fps	D1@12fps
	4MP Lite@15fps	D1@15fps
	1080P@15fps	D1@15fps
	720P@25fps	D1@25fps

Decoding	
Capability	Analog: 2 x 5MP Lite@12, 2 x 4MP Lite@15, 2 x 1080P@15 IP: 1 x 4MP@30, 2 x 1080P@30
Hard Disk	
SATA	1 SATA interface
Capacity	Up to 8TB for each disk (The maximum HDD capacity varies with environment temperature)
External Interface	
Network Interface	1 RJ45 10M/100M self-adaptive Ethernet Interface
USB Interface	Rear panel: 2 x USB2.0
General	
Power Supply	12V DC Power Consumption: ≤8 W (without HDD)
Dimensions (W×D×H)	260mm × 226mm × 47mm (10.2" × 8.9"× 1.8")
Weight (without HDD)	≤1.1kg (2.42lb)
Working Environment	-10°C ~ + 55°C (+14°F ~ +131°F), Humidity ≤ 90% RH (non-condensing)

### Dimensions



### Rear Panel

