



# IP PTZ camera

## M Series PTZ camera range



### OVERVIEW

The camera's 2 ~4 megapixel resolution combined with excellent low light capabilities ensures you capture the required level of detail at all times.

The camera is fully programmable, with up to 300 presets along with 8 patrol and preset tours.

The 8-zone privacy mask feature allows these cameras to block out sensitive areas. In addition, the variety of intelligence features and analytics adds substantial value and enhanced performance to any video system.

### VIDEO INTELLIGENCE

The camera comes with a various built-in intelligent video features like line crossing detection, intrusion zone detection, region entry/exit detection and more. Some of these intelligence features can be refined further by adding person/vehicle classification to filter out unwanted events which automatically results in more efficient alarm event and storage management

### TECHNOLOGY

The camera features H.265+ compression to optimize its bandwidth and storage requirements. At the same time, H.264 which is also supported, allows the camera to be connected to legacy installations where needed.





ONVIF, PSIA and CGI command sets ensure that this camera can also be easily connected to virtually any video surveillance system.

### DETAILS

- 2 ~ 4MPx resolution
- 10x ~ 32x optical zoom options, 16x digital zoom
- IR illumination up to 50 m ~150 m
- Video intelligence with person/vehicle target classification
- Built-in microphone and speaker, audio alarms supported
- Flashing white alarm LED
- H.265+ compression





# Technical Specifications

## IP PTZ camera

		TVGP-M01-0201-PTZ-G	TVGP-M01-0401-PTZ-G	TVGP-M01-0402-PTZ-G	TVGP-M01-0403-PTZ-G
					
General	Technology	IP			
	Video standard	NTSC, PAL			
	OSD	Text Overlay			
	Privacy masking	24 programmable polygon privacy masks, masks colour or mosaic configurable			
	Software compatibility	TruVision Navigator, TVRmobile, Web Browser			
	Plugin-free web browser	Google, Chrome, Mozilla, Firefox			
Camera	Sensor size	1/1.8"	1/2.8"	1/2.8"	1/1.8"
	Max. resolution	2 MP	4 MP		
	Sensor scan	Progressive			
	Sensor type	CMOS			
	Digital S/N ratio	≥55 dB	≥52 dB		N/A
	Shutter time	1/1 to 1/30,000 s			
Lighting performance	WDR type	True WDR			
	WDR	120 dB			
	Day/night	True Day/Night			
	Motorised IR cut filter	Yes			
	Color sensitivity	Colour: 0.005 Lux @ (F1.3, AGC ON), B/W: 0.001 Lux @ (F1.3, AGC ON), 0 Lux with IR			
	Infrared (IR)	Yes			
	IR range	50 m	150 m	100 m	200 m
	IR wavelength	850 nm			
Encoding	Video streams	3			
	Main stream compression	H.264, H.264+, H.265, H.265+			
	Sub stream compression	H.264, H.265, MJPEG			
	Third stream compression	H.264, H.265, MJPEG			
	Video bit rate	32 to 16 Mbps			
	Main stream resolutions	1280 x 720 (XVGA), 1280 x 960 (720p), 1920 x 1080 (1080p)	1280 x 720 (XVGA), 1280 x 960 (720p), 1920 x 1080 (1080p), 2560 x 1440 12 VDC, 1.08 A, PoE: (802.3at, 42.5 V to 57 V), 0.36 A to 0.27 A		
	Sub stream resolutions	352 x 288 (CIF), 640 x 480 (VGA), 704 x 576 (4CIF)			
	Third stream resolutions	1280 x 720 (XVGA), 1280 x 960 (720p), 1920 x 1080 (1080p), 352 x 288 (CIF), 640 x 480 (VGA), 704 x 576 (4CIF), 1280 x 720 (XVGA), 1920 x 1080 (1080p), 640 x 360 (nHD), 640 x 480 (VGA)			
Max. resolution @ fps	1920 x 1080 @ 25 fps		2560 x 1440 @ 25 fps		
Lens	Focal length	2.8 to 28 mm - Horizontal FoV 108 to 19.8°, vertical FoV 56.4 to 11.5°	4.8 to 120 mm - Horizontal FoV: 55 to 2.4° (widetele), Vertical FoV: 33 to 1.4° (wide-tele), Diagonal FoV: 61.5 to 2.8° (wide-tele)		5.9 mm to 188.8 mm - Horizontal FoV 50.8 to 2.6°, vertical FoV 29.4 to 1.5°, Diagonal FoV 57.4 to 3°
	f-stop	Max F1.3	Max F1.6		
	Auto iris	Yes			
	Auto focus	Yes			
	Motorised zoom	Yes			
Pan/tilt/zoom	Pan	Pan speed: configurable from 0.1 to 60°/s; preset speed: 60°/s			Pan speed: configurable from 0.1° to 160°/s; preset speed: 240°/s
	Tilt	Tilt speed: configurable from 0.1 to 50°/s, preset speed 50°/s			Tilt speed: configurable from 0.1° to 120°/s, preset speed 200°/s
	Endless pan	No, pan range 355°	Yes		
	Auto flip	No	Yes		
	Optical zoom	10x	25x		32x
	Digital zoom	16x			
	Preset positions	300			
	Preset tours	8			
Shadow tours	N/A	4			

# Technical Specifications

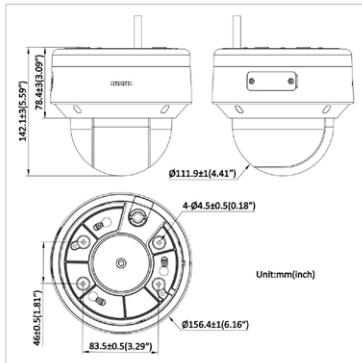
## IP PTZ camera

		TVGP-M01-0201-PTZ-G	TVGP-M01-0401-PTZ-G	TVGP-M01-0402-PTZ-G	TVGP-M01-0403-PTZ-G
					
Network	Network interface	RJ-45 10/100 Mbps self-adaptive Ethernet interface			
	Integration	CGI, ISAPI, ONVIF Profile G, ONVIF Profile S, ONVIF Profile T, SDK			
	Supported network protocols	802.1x, Bonjour, DDNS, DHCP, DNS, ezDDNS, FTP, HTTP, HTTPS, ICMP, IGMP, IPv4, IPv6, NTP, PPPoE, RTCP, RTP, RTSP, SNMP, TCP/IP, UPnP			
	Simultaneous live view	Up to 20 channels			
Audio	Audio compression	G.711, G.722.1, G.726, MP2L2, PCM			G.711a, G.711alaw, G.711ulaw, G.722.1, G.726, MP2L2, PCM
	Audio In	1 built-in microphone		1 input (line in), max. input amplitude: 2-2.4 Vpp, input impedance: 1 KΩ ± 10%	
	Audio out	1 built-in speaker, pre-defined and custom audio alarms supported	1 output (line out), line level, output impedance: 600 Ω		1 output (line out), line level, output impedance: 600 Ω and built in speaker
	Audio bit rate	64 Kbps (G.711)/16 Kbps (G.722.1)/16 Kbps (G.726)/32-192 Kbps (MP2L2)			
Audio I/O	Alarm inputs	1	2	1	2
	Alarm outputs	1 relay output, 12 VDC power output of max. 0.7W, flashing white alarm LED, audio alarms		1	1 alarm output and white flash LED
Storage	Local storage type	Built-in memory card slot, support microSD/SDHC/SDXC card			
	Max. SD card capacity	256 GB			
Video intelligence	Alarm trigger	HDD error, HDD full, Invalid login, IP address conflict, Network disconnected			
	ROI	8 fixed region for each stream			
	Smart event	Audio exception detection, Face capture, Intrusion detection, Line crossing detection, Motion detection, Object removal detection, Region entrance detection, Region exiting detection, Unattended baggage detection			
	Intelligence options	Face capture: can detect up to 30 faces simultaneously. Supports detecting, capturing, grading, selecting of faces in motion, and generates the best face picture. Person/vehicle filtering: these options can be configured on line crossing, intrusion detection, region entry/exit detection.			
Electrical	Operating voltage	112 VDC, PoE (802.3at) 12 VDC adapter included (without mains lead)	24 VAC, PoE (802.3at)	12 VDC, PoE (802.3at) 12 VDC adapter included (without mains lead)	24 VAC, Hi-PoE
	Power consumption	max. 24 W	Max. 24 W (including max. 9 W for IR and max. 1.6 W for heater)	Max. 18 W, including max. 1.6 W for heater and 9 W for IR	Max. 42 W (including max. 18 W for IR and max. 10 W for heater)
Physical	Physical dimensions	Ø 156.4 × 142.1 mm Ø 6.16 × 5.59 in.	Ø 210 × 344.7 mm Ø 8.27 × 13.57 in.	Ø 164.5 × 290 mm Ø 6.48 × 11.42 in.	Ø 220 × 363.3 mm Ø 8.66 × 13.91 in.
	Net weight	Approx. 1.90 kg Approx. 4.19 lb.	Approx. 3.0 kg Approx. 6.61 lb.	Approx. 2.0 kg Approx. 4.41 lb.	Approx. 5.0 kg Approx. 11.03 lb.
	Colour	Grey (Pantone 428c)			
	Material	Metal			
	Form Factor	PTZ			
Environmental	Operating temperature	-30 to +60°C -22 to +140°F			
	Relative humidity	<95% (non-condensing)		90% or less, noncondensing	
	IP rating	IP66			
Regulatory	Compliance	CE, EMC, FCC, RCM, REACH, RoHS 3, UKCA, UL, WEEE			

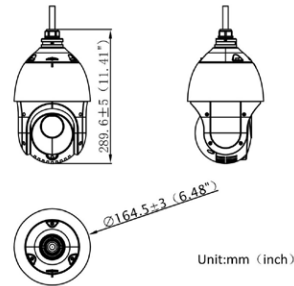
# TVGP-M01-0401-PTZ-G

National Sales Enquiries  
 10 Ferntree Place  
 Notting Hill, Victoria 3168  
 Phone: 1300 361 479  
 Outside Australia: +61 3 9239 1200

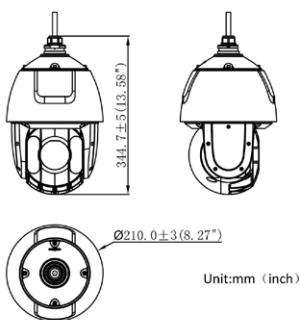
## Dimensional Diagram



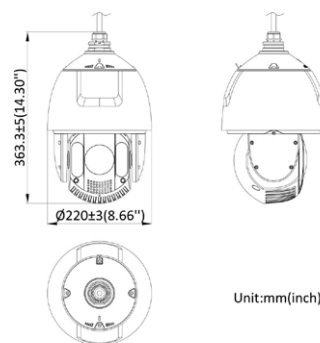
TVGP-M01-0201-PTZ-G



TVGP-M01-0402-PTZ-G



TVGP-M01-0401-PTZ-G



TVGP-M01-0403-PTZ-G

## Ordering Information

TVGP-M01-0201-PTZ-G	TruVision 2MP Compact IP PTZ camera, H.265+, 50m IR, 10x Optical zoom, IP66, PoE+/12VDC
TVGP-M01-0402-PTZ-G	TruVision 4MP Compact IP PTZ camera, H.265+, 100m IR, 25x Optical zoom, IP66, PoE+/12VDC
TVGP-M01-0401-PTZ-G	TruVision 4MP IP PTZ camera, H.265+, 150m IR, 25x Optical zoom, IP66, PoE+/ 24VAC
TVGP-M01-0403-PTZ-G	TruVision 4MP IP PTZ camera, H.265+, 200m IR, 32x Optical zoom, IP66, +/ 24VAC

## Compatible accessories

### Wall mount bracket included

TVMI-PM	TruVision pendant mount bracket, 57 mm /2.24"
TVMI-PM2	TruVision pendant mount bracket, 200 mm /7.87"
TVMI-PM3	TruVision pendant mount bracket, 500 mm /19.7"
TVP-WM-CM	Corner mount: use included wall mount bracket in combination with TVPWM-CM
TV-WM-PM	Pole mount: use included wall mount bracket in combination with TVP-WM-PM
TVP-FM-01	TruVision flush mount bracket for PTZ camera TVGP-M01-0402-PTZ-G



Specifications subject to change without notice.  
 Carrier Fire & Security Australia Pty Ltd.  
 © 2022 Carrier. All rights reserved. All trademarks are the property of their respective owners.



TruVision\_PTZ\_Camera\_June22