



## User Manual

CONVENTIONAL MANUAL CALL POINT  
BP-FD-CMCP135



*Enjoy it.*

# Conventional Manual Call Point BP-FD-CMCP135

## User Manual

----- Please read this Manual carefully before installing and using the product. -----

### 1. Overview

The BP-FD-CMCP135 Conventional manual call point is designed to be use with an intelligent two-wire control system. If it is pressed after a fire is manually confirmed, an alarm signal may be sent to a fire alarm control system which will, after receiving the alarm signal, display the equipment status of the manual fire call points. When the manual fire call points is operating normally, the red indicator will blink; when there is a fire alarm, it will remain lit.

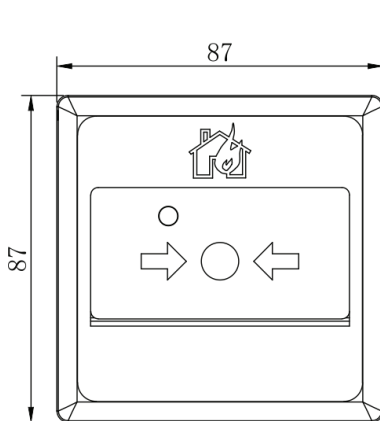
### 2. Product characteristics

- 2.1 Semi-flush or surface mounting
- 2.2 Compatible with the latest EN standards
- 2.3 Lever reusable (non-glass break)
- 2.4 LED indicator

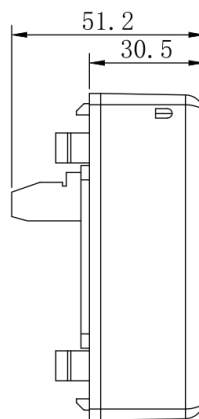


### 3. Technical parameters

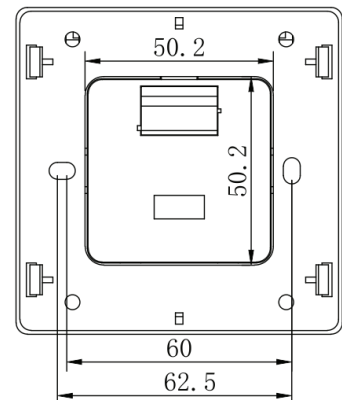
- 3.1 Executive Standard: EN54-11
- 3.2 Operating voltage: 16VDC~24VDC
- 3.3 Operating current: monitoring status $\leq 20\mu\text{A}$ , alarm status $\leq 15\text{mA}$
- 3.4 Application: For indoor use
- 3.5 Operating temperature:  $-10^{\circ}\text{C} \sim 55^{\circ}\text{C}$ , Relative humidity:  $\leq 95\%$ (non-condensing)
- 3.6 Indicator: Red alarm indicator flashes when it is under normal condition, press the manual button lit work
- 3.7 Materials and colors: ABS, red
- 3.8 Wiring: The promise of two bus system(Zone +, Zone -)
- 3.9 Size: 99mm\*91.5mm\*66.3mm
- 3.10 Mating Panel: Conventional fire alarm control panel
- 3.11 Weight: about 95g
- 3.12 DOP/EC Certificate: 2831-CPR-F2833



Front view



Side view



Mounting

Figure 1.Main part

#### 4. Mounting base

Shown in Figure 2, the base is fixed to the wall, fix the middle cover on the base and then fix the top cover on the middle cover. The base dimensions of 87mm\*87mm\*33mm(Length\*Width\*Height), mounting hole diameter is  $\phi 5\text{mm}$ , fixing the hole spacing is shown in Figure 3.

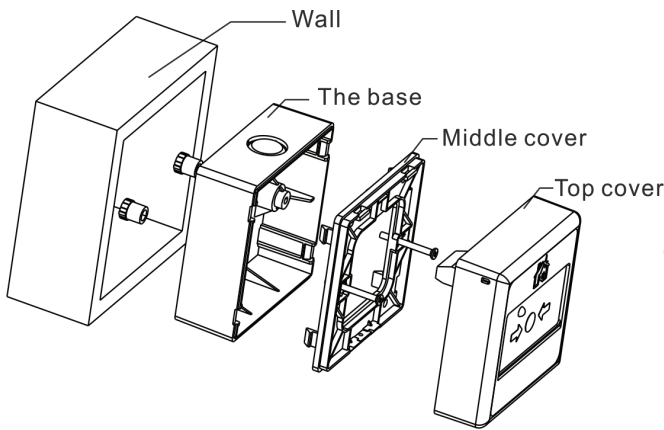


Figure 2. Mounting

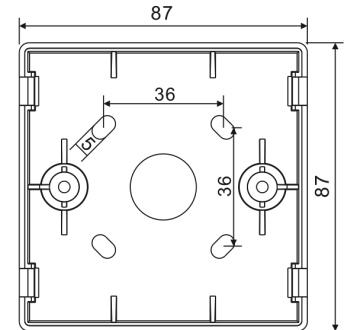


Figure 3. Middle cover

#### 5. Wiring and Connections

According to the wiring diagram, connect the wires to the desired end. Figure 4 shows, it is proper to use RVS twisted pairs with a section of area of equal to or larger than  $0.75\text{mm}^2$  for the socket IN or OUT.

#### 6. Use

**Start:** When there is a fire manual confirmation, press the button on the panel of the BP-FD-CMCP135 (See Fig.5). After the manual fire alarm is given, the ALARM indicator will remain lit.

**Reset:** The resetting key into the manual reset button on the side of the hole being depressed can make restitution by piece, Reset the fire alarm control system and restore the BP-FD-CMCP135 to the normal monitoring status.

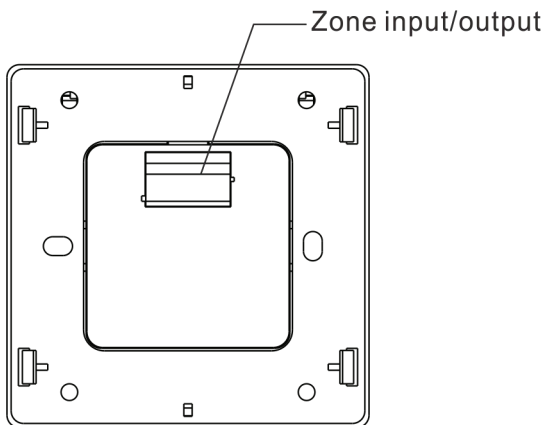


Figure 4. Connection

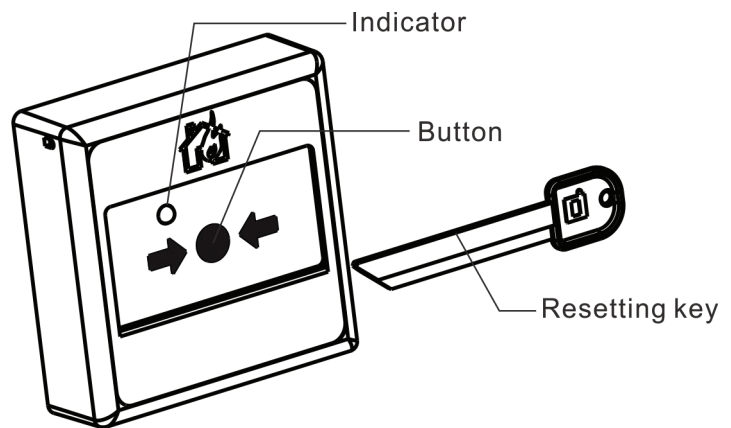


Figure 5. Use

For Inquiries, Please contact:

Security Shop

Vladimira Popovica 6/6/A606

11070 Novi Beograd, Serbia

Tell: +381 11 318 68 68

[office@securityshop.rs](mailto:office@securityshop.rs)

Imported/Distributed by Security Shop doo

BLAUPUNKT and the BLAUPUNKT logo are trademarks of  
TALISMAN BRANDS (Luxembourg) S.A.R.L. and are used  
under license from Talisman Brands, Inc.

BLAUPUNKT licensees are solely responsible for  
the BLAUPUNKT branded products manufactured,  
distributed and sold under license.

[www.blaupunkt.com](http://www.blaupunkt.com)