

HYUNDAI
ELECTRONICS

USER GUIDE

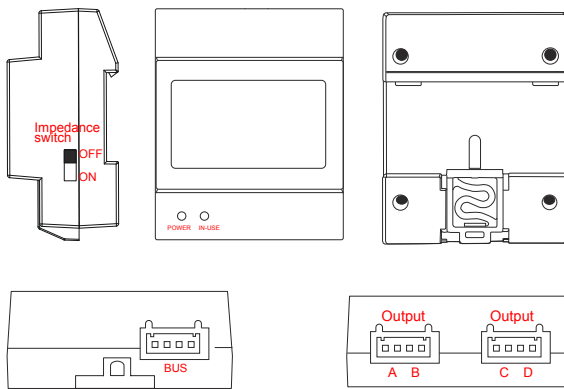
HYU-IN-AP4001

USER MANUAL

Description: HYU-IN-AP4001 video distributor with 4 branches and isolation protection function.

- Can be used as 4 inputs(outdoor stations) controller or 4 outputs(indoor stations) controller;
- Separate isolation protection without affecting another devices on bus system;
- Short-circuit indication for convenient maintenance;
- Periodic self-detection mechanism for recovery.

1. Parts and Functions



IN-USE:Status indicator,it will light up when receives signal.

POWER:Working indicator,it will light up when plugs in power supply.

Impedance Switch:Video match switch,the last DBC4A1 at the end of the bus should set ON to match the video impedance,the power indicator will turn to orange after setting.

Bus:Input port,bus connection port.

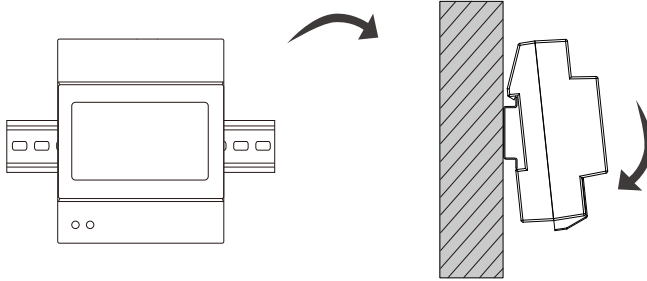
A,B,C,D:Output port,connect to indoor monitors or door stations.

Note:

- Operation mode: Protection mode will be activated once its connected devices are short circuited, and power supply for ABCD outputs will be turn off, the flashing in-use indicator shows the distributor is in the protection mode.
 - Self-detection: System will auto check whether the short circuit is fixed or not, then recover the power supply, and in-user indication will be turn off;
 - Detection period: Self-detection will be happened regularly according rules, and in-use indicator will flash rapidly three times when check happens;
- 1st detection will be happened in 10 seconds after short circuit;

2nd detection will be happened in 60 seconds after 1st detection;
 3rd detection will be happened in 5 minutes after 2nd detection;
 4th detection will be happened in 10 minutes after 3rd detection;
 5th hereafter detection will be happened every 30 minutes;

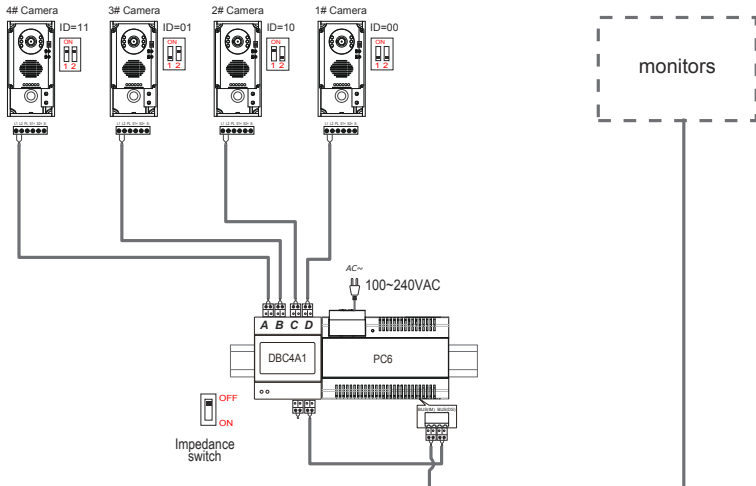
2. Unit Mounting



DIN Rail Mounting

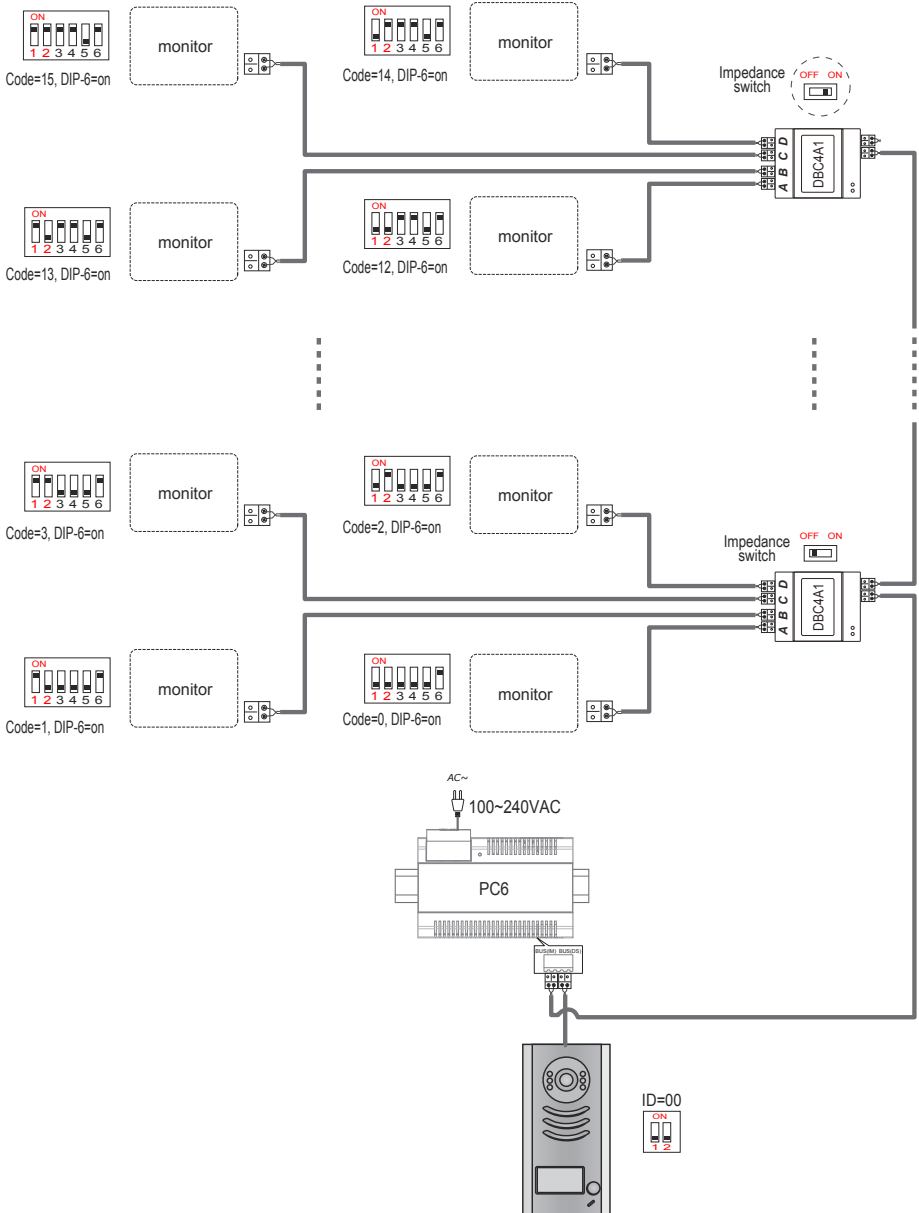
3. System Wiring

Mult Door Station Wiring:



Note: DBC4A1 applies to all door station and monitor, the diagram uses DT591 as an example.

Mult Monitors Wiring:



5. Specification

Power Supply :	DC20~30V
Working Temperature:	-10°C~+40°C;
Wiring:	2 wires (non-polarity);
Dimension:	89(H)×71(W)×45(D)mm

For Inquiries, Please Contact:

Security Shop
Vladimira Popovica 6/6/A606
11070 Novi Beograd, Serbia
Tell +381 11 318 68 68
office@securityshop.rs