

## 2-WIRE VIDEO OUTDOOR STATION

HYU-IN-VI002

---

User manual

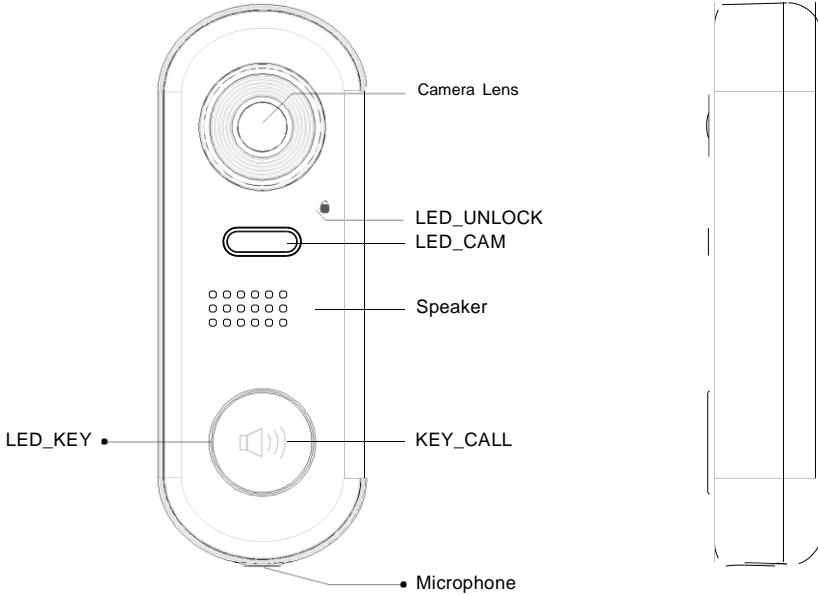


- Please read this manual carefully before using the product you purchase, and keep it well for future use.
- Please note that images and sketch maps in this manual may be different from the actual product.

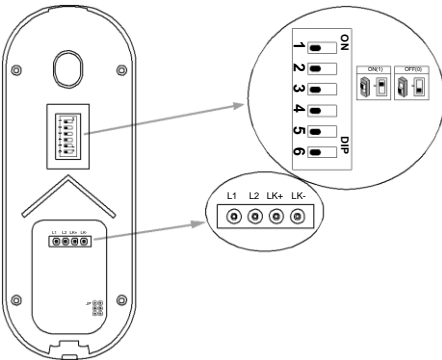
# Contents

1.Parts and Functions.....	1
2.Terminal Descriptions .....	1
3.Door Station Mounting.....	2
4.System Wiring and Connections .....	3
5.LED Status .....	7
6.Door Station Address Setting .....	8
7.Unlock Time Setting.....	8
8.Setup .....	9
9.Specifications .....	10
10.Precautions.....	10
11.Cables Requirements .....	11

# 1.Parts and Functions



# 2.Terminal Descriptions



## DIP:

Bit 1&2: to set door station address, total 4 door stations can be supported. Please refer to door station address setting.

Bit 3&4: to set unlock time for door station. Please refer to unlock time setting.

Bit 5: to set unlock mode for door station(0(OFF):opened/1(ON):closed).

Bit 6: 0(OFF) -> 1(ON), to enter setting mode.

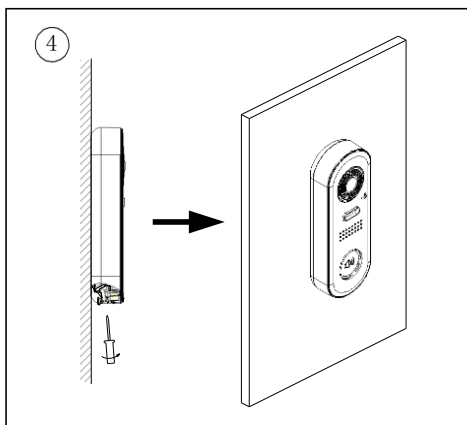
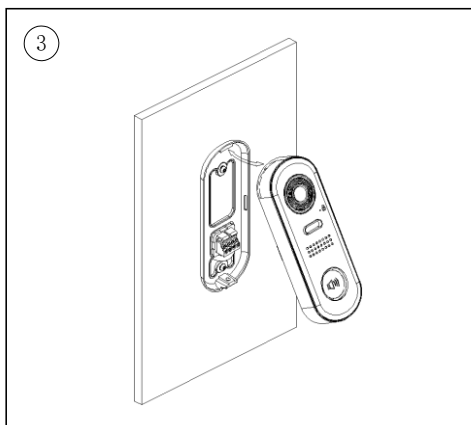
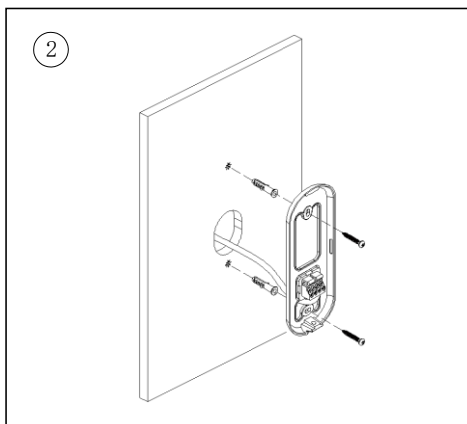
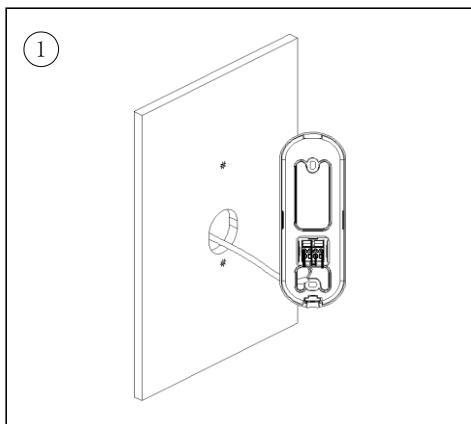
**L1,L2:** Connect to the bus line, no polarity.

**LK+:** Lock power(+) output.

**LK-:** Lock power(-) output, connect to the power(-) input of locks(only when using the door station to power the locks, if using the external power supply for the locks, the LK- will not be connected).

**JP:** Lock Control Jumper.

## 3. Mounting



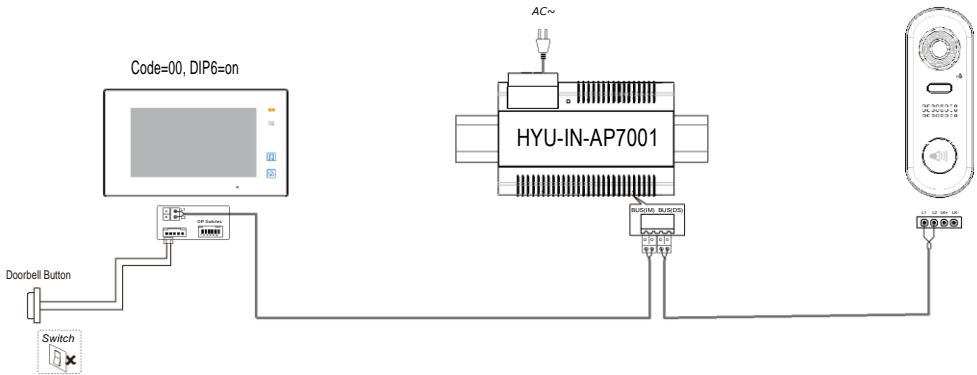
1. Installation height for door station usually is 145~160cm.

2. Use screws to fix the back panel to the wall after connect the cable correctly.

3. Attach the front panel to the back panel, then use the screw to fix it.

# 4. System Wiring and Connections

## Basic Connection

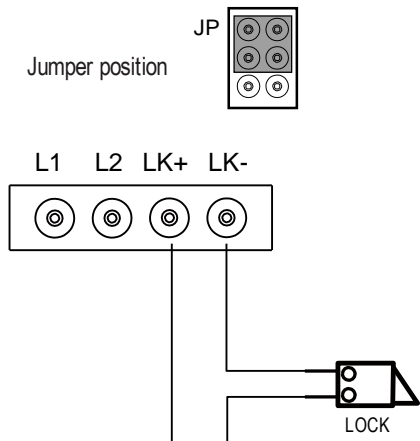


## Electric Lock Connection

### Door Lock Controlled with Internal Power

Note:

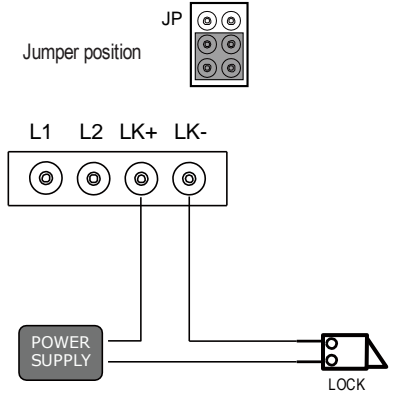
1. This mode only supports electromagnetic locks.
2. Electromagnetic lock of Power-on-to-unlock type should be used.
3. The door lock is limited to 12V, and holding current must be less than 250mA.
4. The **Unlock Mode** Parameter of Monitor must be set to 0 (by default).



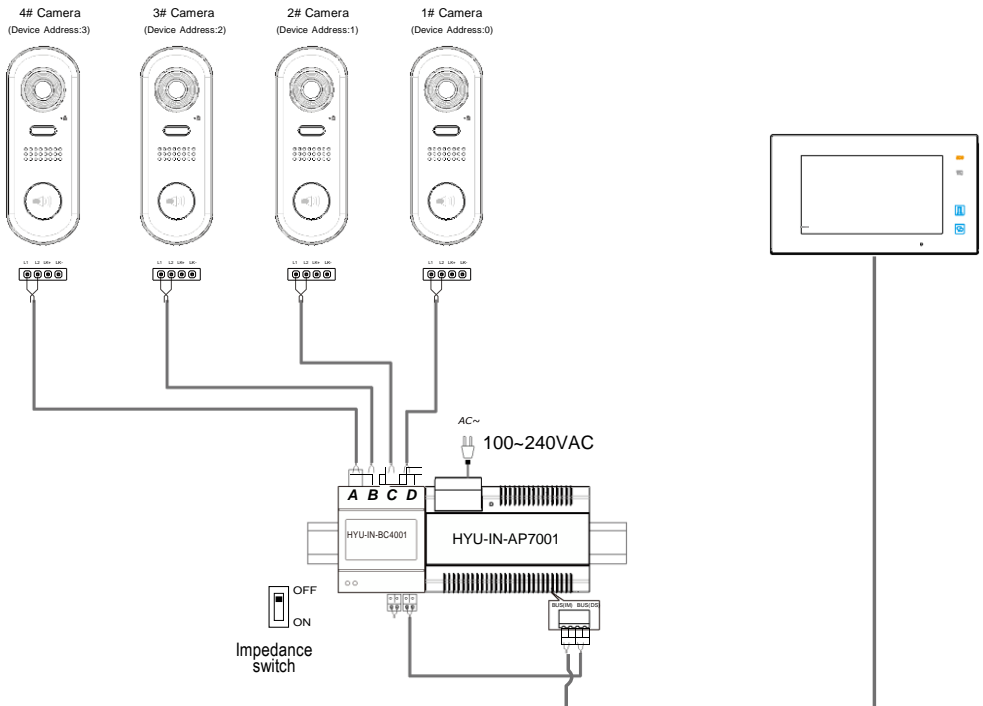
## Door Lock Controlled with Dry Contact

Note:

1. The external power supply must be used according to the lock.
2. The inside relay contact is restricted to AC or DC 24V/1A.
3. Setup the **Unlock Mode** of Monitor for different lock types.
  - Power-on-to-unlock type: Unlock Mode=0 (by default)
  - Power-off-to-unlock type: Unlock Mode=1

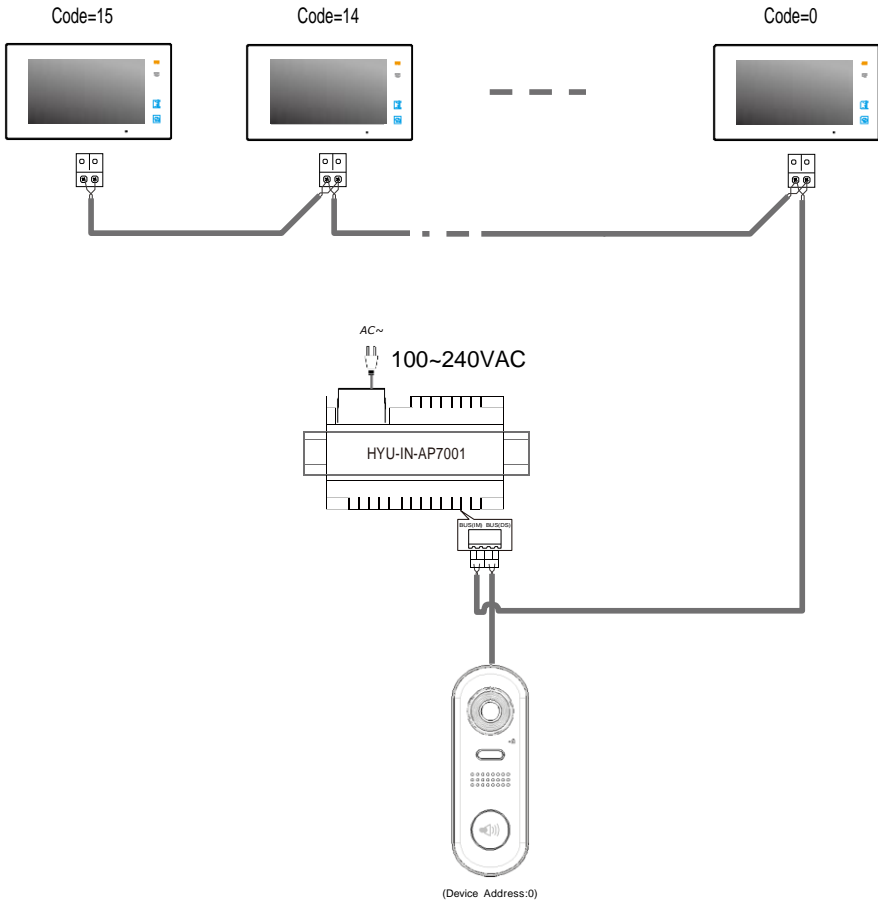


## Multi Door Stations Connection

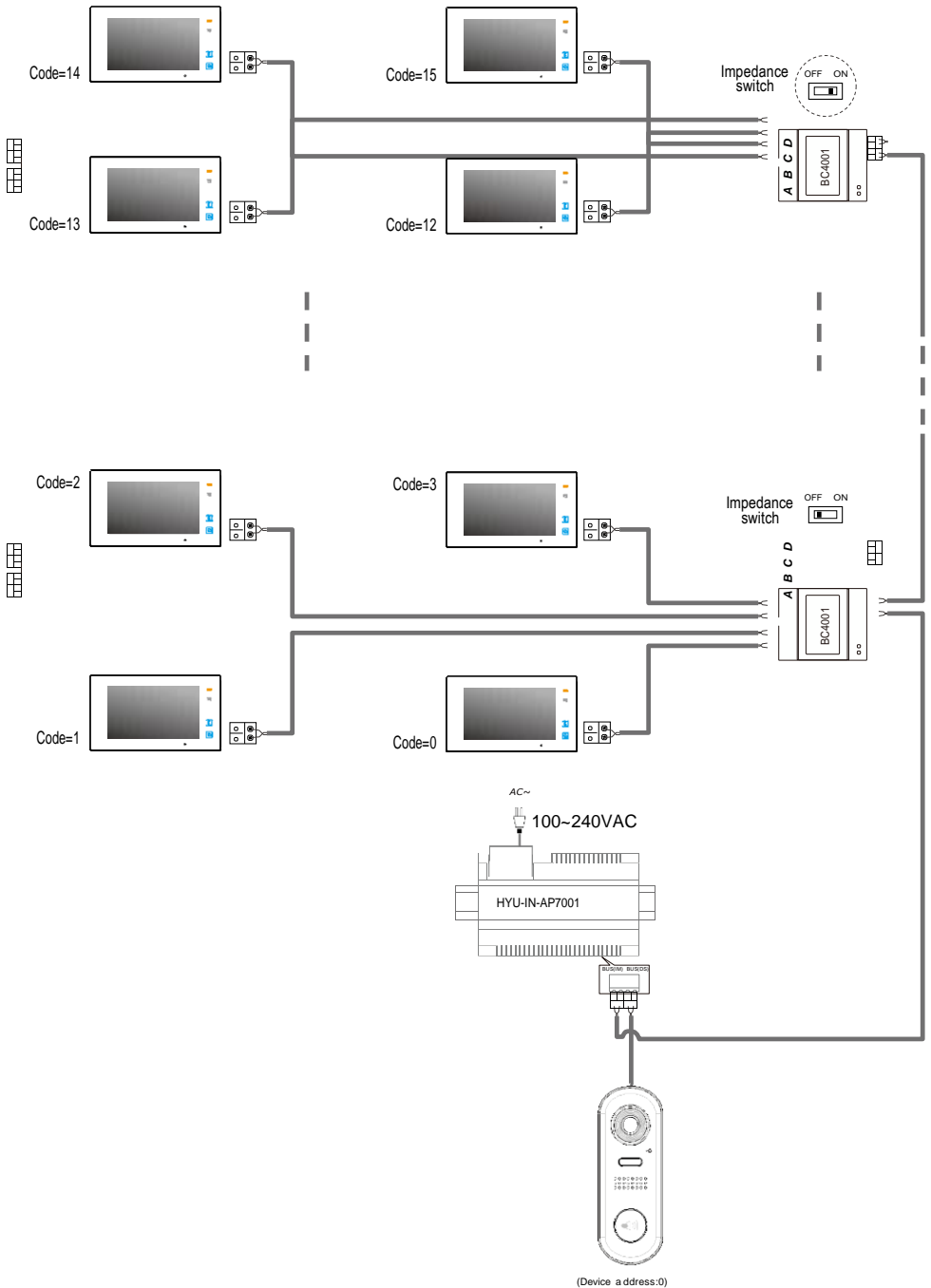


# Multi Monitors Connection

## Basic IN-OUT Wiring Mode



# With DBC4A1 Wiring Mode





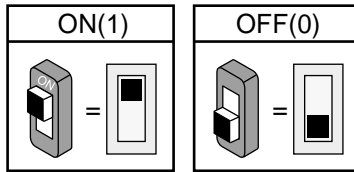
## 5. LED Status

Different LEDs ON to represent different states.



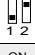
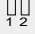
Please refer to the figure below.

LEDs Status	LED_UNLOCK	LED_CAM	LED_KEY
<b>Monitoring</b>	--	<b>Auto</b> (by default)	<b>ON</b> (by default)
<b>Calling</b>	--	<b>Auto</b> (by default)	<b>Flash quickly</b>
<b>Talking</b>	--	<b>Auto</b> (by default)	<b>Flash slowly</b>
<b>Unlock</b>	<b>ON</b>	--	--
<b>Upgrad</b>	<b>ON</b>	--	--
<b>Setup/ Initilization</b>	<b>ON</b>	--	--

## 6. Door Station Address Setting




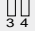


Total 2 bits on the DIP switches can be configured. The switches can be modified either before or after installation.

Bit state		Descriptions
		Default setting, ID = 0(00), set to the first Door Station.
		ID = 1(01), set to the second Door Station.
		ID = 2(10), set to the third Door Station.
		ID = 3(11), set to the fourth Door Station.

## 7. Unlock Time Setting

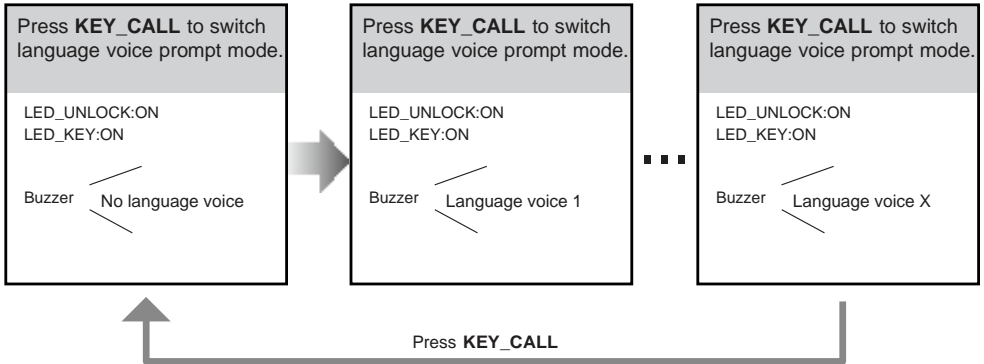
Total 2 bits on the DIP switches can be configured. The switches can be modified either before or after installation.

Bit state		Descriptions
		Default setting, unlock time is Xs(Default value can be changed).
		Set to the unlock time is 3s.
		Set to the unlock time is 5s.
		Set to the unlock time is 10s.

## 8. Setup

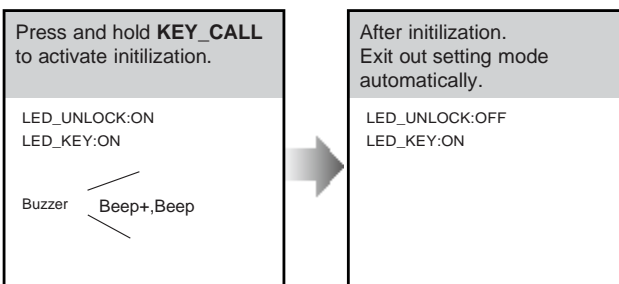
Set bit 6 to ON or connect power, and within 10s, press and hold KEY\_CALL to get into setting state.

### Switch Language Voice



- If without any operation in 10 seconds, it will exit out setting mode automatically.

### Initilization



- If without any operation in 10 seconds, it will exit out setting mode automatically.

## 9. Specifications

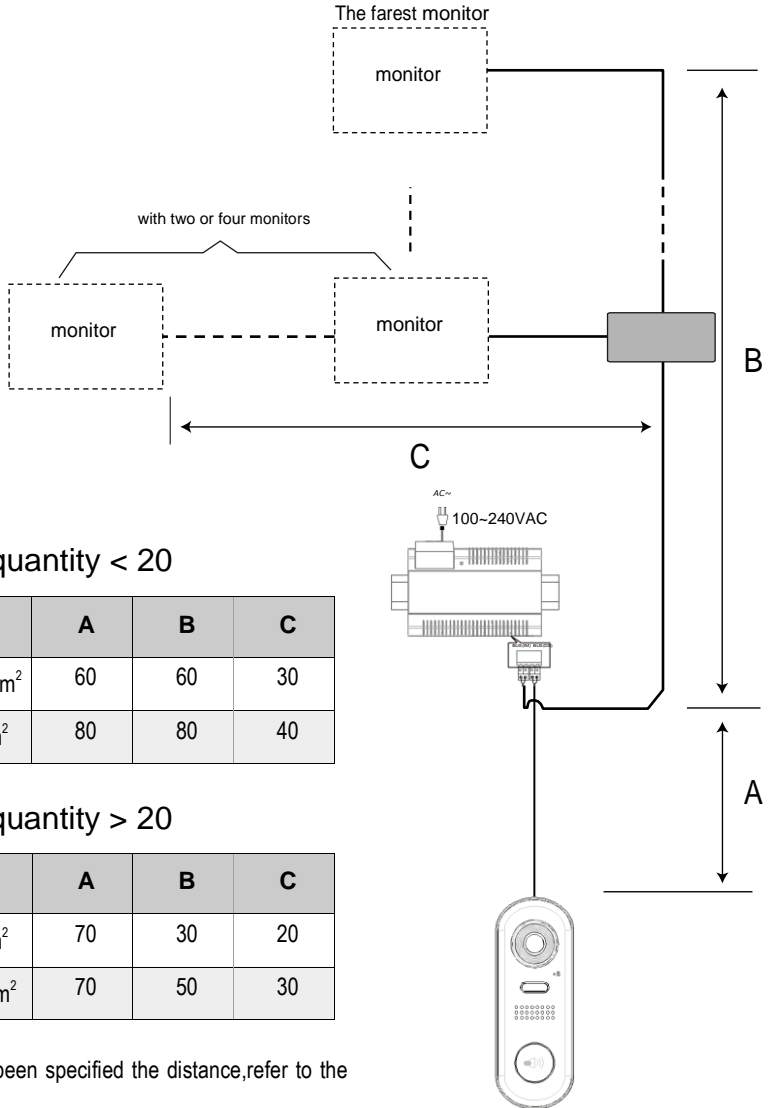
- Power Supply : DC 24V ;
- Power Consumption: Standby 14mA; Working status 122mA;
- Camera: Color ARS; 500 TV Lines;
- Lock Power supply: 12Vdc, 250mA(Internal Power);
- Mounting: Surface mounting
- Working temperature: -15°C ~ +55°C
- Dimension: 160(H)×60(W)×31.5(D)mm

## 10. Precautions

- Please clean the unit with soft cotton cloth, don't use the organic impregnant or chemical clean agent. If necessary, please use a little pure water or dilute soap water to clean the dust.
- The unit is weather resistant. However do not spray high pressure water on access control keypad directly. Excessive moisture may cause problems with the unit.
- You must use the right adaptor which is supplied by the manufacture or approved by the manufacture..
- Pay attention to the high voltage inside the products, please refer service only to a trained and qualified professional.

# 11. Cables Requirements

The maximum distance of the wiring is limited in the DT system. Using different cables may also affect the maximum distance which the system can reach.



When Monitor quantity < 20

Cable Usage	A	B	C
Twisted cable 2x0.75 mm <sup>2</sup>	60	60	30
Twisted cable 2x1 mm <sup>2</sup>	80	80	40

When Monitor quantity > 20

Cable Usage	A	B	C
Twisted cable 2x1 mm <sup>2</sup>	70	30	20
Twisted cable 2x1.5 mm <sup>2</sup>	70	50	30

Note: If the monitor has been specified the distance, refer to the parameter.





# HYUNDAI

**For Inquiries, Please Contact:**

**Security Shop  
Vladimira Popovica 6/6/A606  
11070 Belgrade, Serbia  
Tel: +381 11 318 68 68  
office@macchina.rs**

Imported/Distributed by Security Shop doo  
Licensed by Hyundai Corporation Holdings, Korea  
Delivery and After Service shall only be covered within Serbia