



User Manual

Swing Barrier BP-SB326



For Inquiries, Please contact:

Security Shop
Vladimira Popovica 6/6/A606
11070 Novi Beograd, Serbia
Tell: +381 11 318 68 68
office@securityshop.rs

Imported/Distributed by Security Shop doo
Licensed by Blaupunkt, 31785 Hameln/ Deutschland
Delivery and After Service shall only be covered within Serbia
www.blaupunkt.com
Made in China

Enjoy it.

Dear User:

Thanks for your trust. Please read this user manual carefully before using swing barrier.

The manual includes: main functions (our own advantages), dimensions, parameters, main board wiring diagram, installation instructions, testing, and packing list.

The user manual can help you to know more details about swing barriers, such as mechanical working theory, using guide, matters need attention.

We should use the swing barrier in right way to ensure the working life.

The user manual also analyzes some problems which maybe appear during using.

And you can find out the way to solve each problem in the manual.

At the same time, we sincerely hope that you can give us some suggestions to make our barrier gates better and better.

Thanks!

Product introduction	3
Functions and features	3
Appearance and dimension	4
Working principle of swing barrier	6
Parameters	9
Product installation	10
Installation notes	10
Wiring diagram	11
Menu operation and function debugging	12
Setting board	12
Parameter setting	12
Status information	15
Error code	15
Packing list	15
Product maintenance	16
Maintenance	16
Warranty card	17

Product introduction

The swing barrier is a carefully designed one by our company that can adapt to the modern "safe, fast, efficient, A new generation of high-quality "management" products. It is widely used as a tool for management in indoor places to enter and exit. It is characterized by stylish appearance, fast traffic speed, and high degree of intelligence. The swing gate is an access control system and is a modern security entrance and exit. One of the important parts of control. It can provide users with fast, safe and efficient two-way access products.

The swing barrier is mainly controlled by authorized methods, and the entry and exit of the management personnel is controlled. At the same time, the latest protection is used.

The trailing control technology can quickly and accurately determine whether people are trailing. Unauthorized personnel will not be able to automatically alarm if unauthorized personnel break into the system forcibly, so as to achieve strict and effective management of the personnel, and truly realize the security and security functions of the entry and exit channels.

1. Functions and features

1.1.The body adopts 304 stainless steel chassis, ergonomic design, beautiful, generous, strong and durable.

1.2.The main control adopts full data management, and all functional parameters are digitally set, making the setting and operation easier.

1.3.The 24VDC brushless motor drive runs according to the movement curve, the operation is stable and reliable, the state is smooth, and the gate movement is coordinated and synchronized.

1.4.The equipment has complete functions, with illegal intrusion alarm, trailing alarm, reverse processing, gate anti-trapping, and free passage settings.

1.5.Single or multi-passenger working mode, motor blocking protection, exit channel delay, peak traffic mode, emergency traffic mode and other functions.

1.6.Complete interface modes, the NPN normally open infrared beam used on the market can be used.

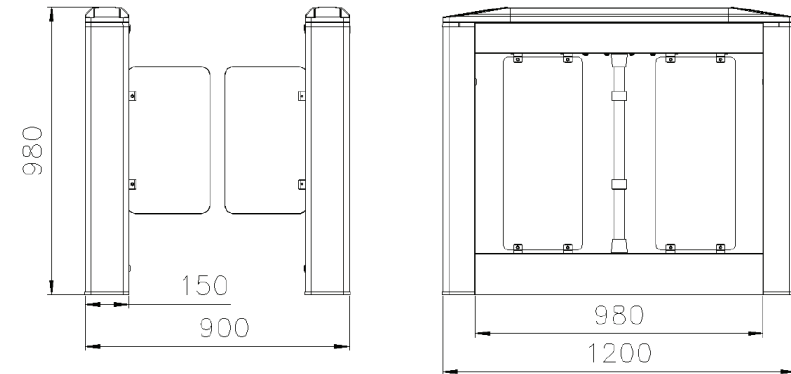
1.7.A variety of pass indicators, green light when passing is allowed, red light when passing is forbidden or illegal intrusion, and blue light when idle.

1.8.The control panel can be set for voice broadcast, and the greeting language direction of the entrance and exit can be set in the menu.

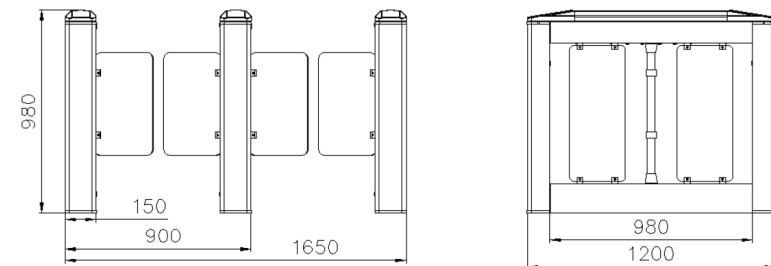
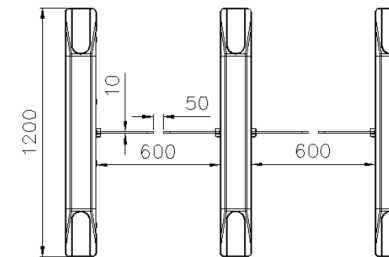
1.9.Various equipments can be integrated, such as IC/ID/Rfid/QR code/barcode reader, fingerprint, face recognition, button etc.

2. Appearance and dimension

2.1. Appearance and dimension for Acrylic Style



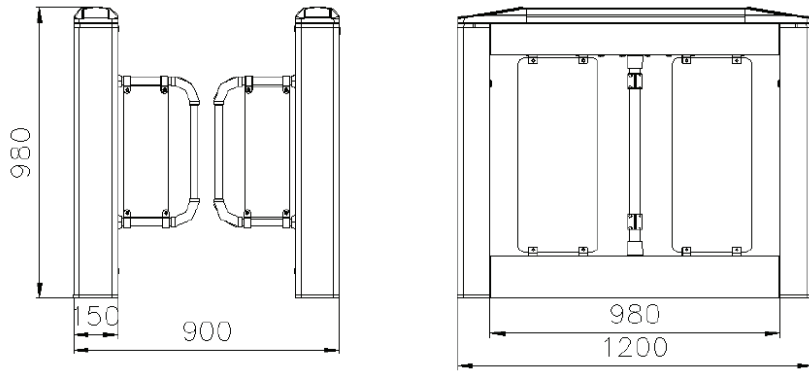
Single channel Appearance and Dimension



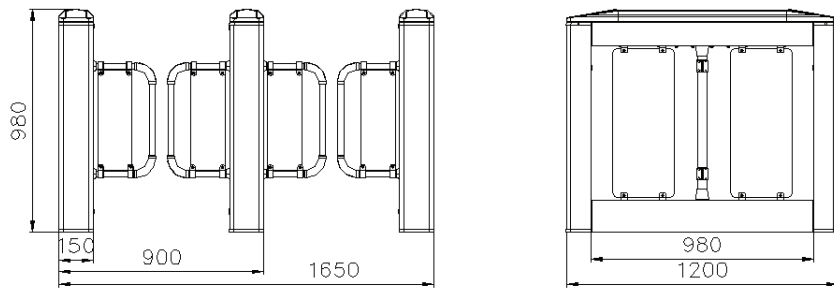
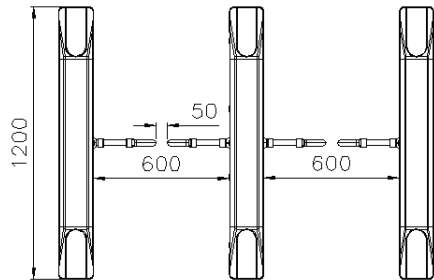
Double channel Appearance and Dimension

Instruction: There are single core and double core for swing barrier which is able to be combined as single channel, double channels or even more channels freely. The standard width of lane is **600MM**, max can be **950MM**.

2.2. Appearance and size for stainless dimension style



Single Channel Appearance and Dimension



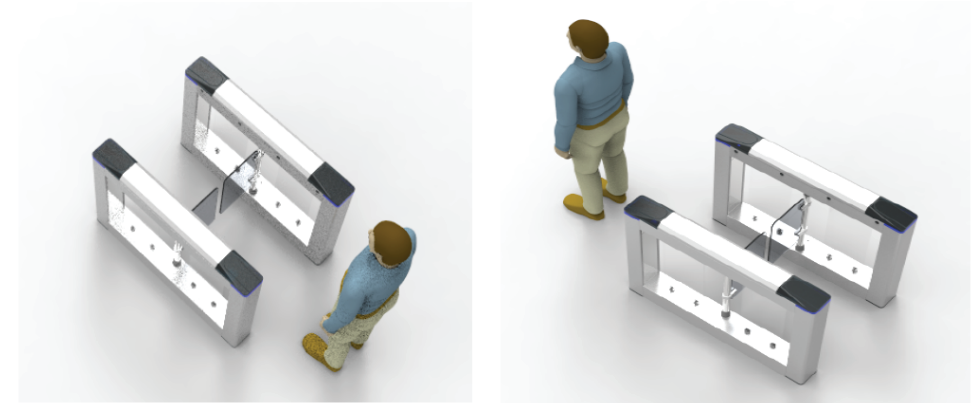
Double Channel Appearance and Dimension

Instruction: There are single core and double core for swing barrier, which is able to be combined as single channel, double channels or even more channels freely. The standard width of lane is **600mm**, max can be **950mm**

3. Working principle of swing barrier

3.1. Passage of authorized person

Swipe the card for authorization, the indicator light turns green, the gate opens, and the 90-degree sensor detects the user's entry. After passing the passage, the gate was quickly closed and locked.

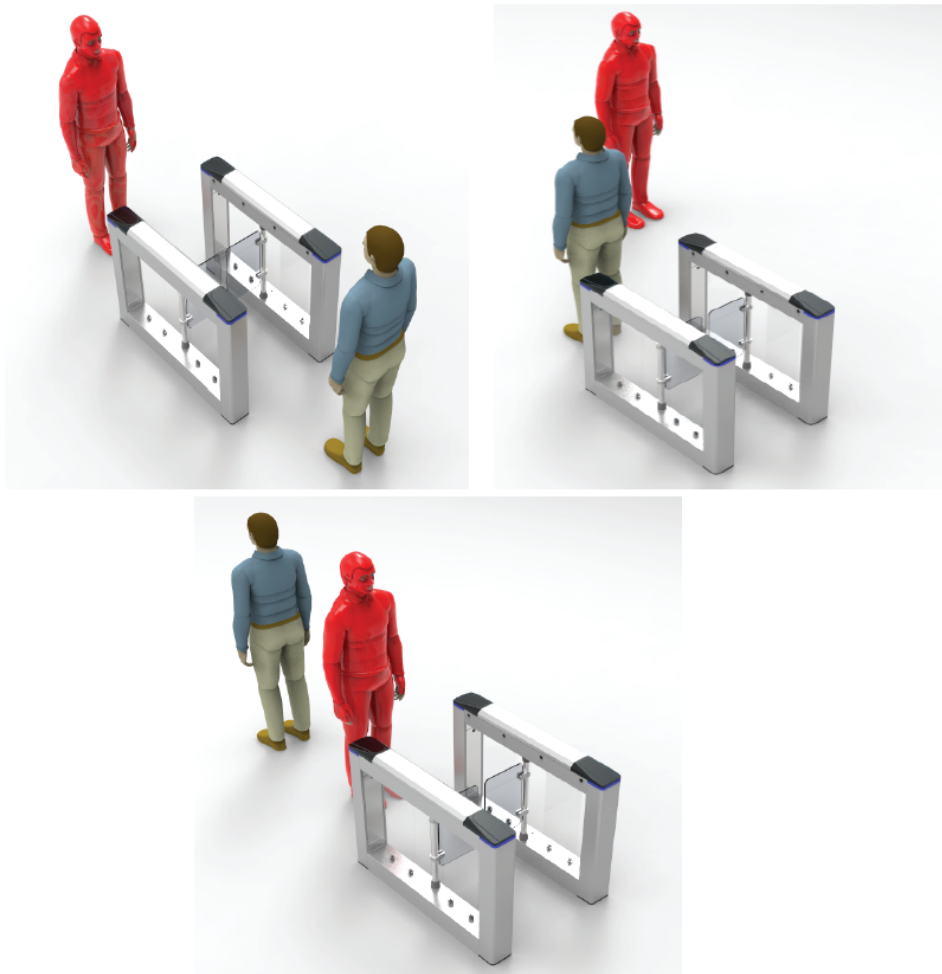


3.2. Unauthorized people

Unauthorized people enter the lane, indicated light turns red, swing barrier keeps closing and alarm works. Unauthorized people should exit the lane.

3.3. Unauthorized personnel from both directions enter the swing barrier

If user A and user B are in the passage space at the same time, the two-way traffic indicator will be red at this time, and the first gate opening signal has priority. If user A is authorized first, after user B exits the passage, user A's side of the traffic indicator light turns green, the gate swings and opens according to the direction of user A, after A passes, the gate closes, after user B is authorized, the gate opens in the direction of user B, user B's side of the access indicator turns green, and user B can pass at this time. After user B passes, the gate is closed again, waiting for the next authorization.



3.4. Unauthorized person enters speed gate in the opposite direction

An unauthorized user enters the channel from the opposite direction, the sensor detects unauthorized use, the barrier is closed and an alarm is accompanied, and the unauthorized user exits the channel, the alarm state is cancelled, and the channel enters standby mode and waits for the next valid authorization.

4. Security function

The swing barrier effectively isolates unauthorized persons, and the infrared detection system effectively prevents trailing, following, entering, lurking, and crossing in the opposite direction.



4.1. Status indicator

4.1.1. The authorization status indicator is embedded in the top plate of each channel of the swing gate, and the indicator is three colors of red, green and blue, of which green indicates normal traffic, red indicates no traffic, and blue indicates waiting machine status.

4.1.2. On each base post of the access door, there is an LED traffic status indicator, and the green generation the meter can pass through this channel, and red means that this channel is forbidden or forbidden to pass.

4.2. Power-off handling

4.2.1. If the fire signal is received, the swing arm can be manually pushed open; the function of power-off and opening is realized, which is convenient for unblocking scattered.

4.2.2. In the event of a power failure, the motor stops running and the swing arm can be manually pushed open; the function of power failure and opening is realized.

4.3. Anti-following, anti-trailing

The swing turnstile is equipped with an infrared sensor system, which can accurately locate the entire passage of the person after they enters the passage, and sense the traffic state. After discovering that unauthorized persons are following, according to customer requirements, the door wing can be quickly moved back to block unauthorized persons out of the passage to prevent them from entering, and activate the alarm system.

5. Safety protection function

Anti-crash function, auto-open after power-off, emergency evacuation, anti-crash function.

6. Parameters

Housing material: SUS304 stain steel

Housing dimension: 1200*150*980mm(L*W*H)

Supply voltage: 220 V \pm 10%/50Hz

Output voltage: DC 24 V

Working current: 5A

Drive motor: DC brushless motor DC24V 40W/60K 1800rpm
Communication interface: TTL232

Input interface: 2 gates opening signals, 1 fire signal

Infrared quantity: 4 pairs infrared input

Alarm output: 1 alarm output/built-in buzzer alarm

Voice interface: 1 voice interface

Hardware protection: short circuit protection/reverse connection protection
Working temperature: -25~+75°C

Passing speed: 35~50 people/min

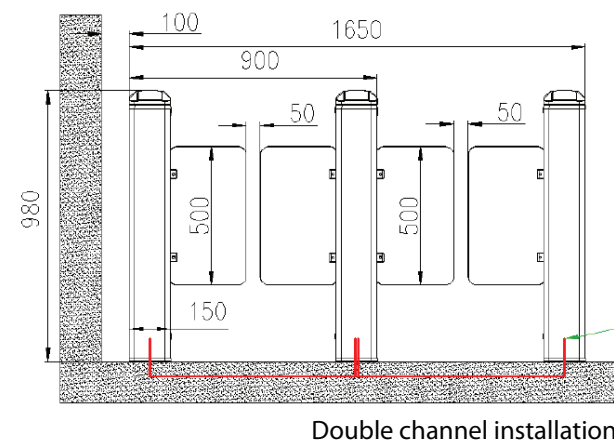
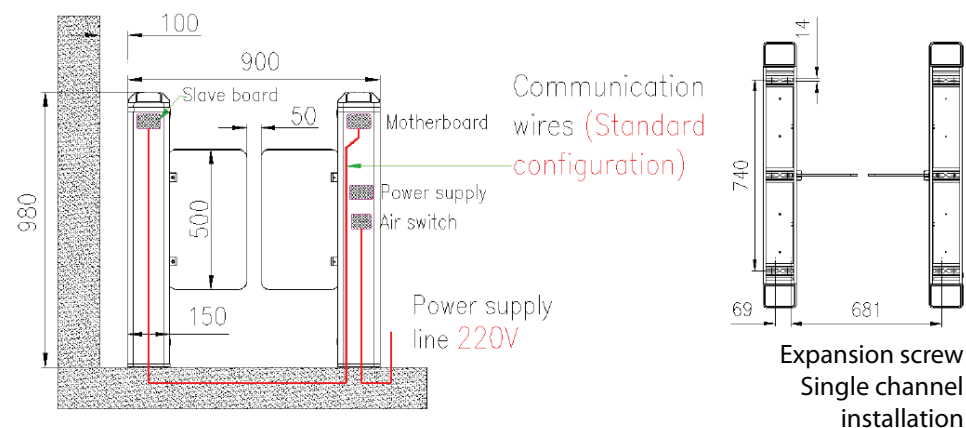
Emergency measures: free passage when power-off

Product installation

1. Installation notes

- 1.1. It is recommended to install the equipment on a level ground to ensure smooth operation of the equipment.
- 1.2. Ensure that the system is grounded reliably to prevent accidents.
- 1.3. Reserve 100mm away from the building on the back of the housing installation, which is convenient for opening the cover for debugging and maintenance.

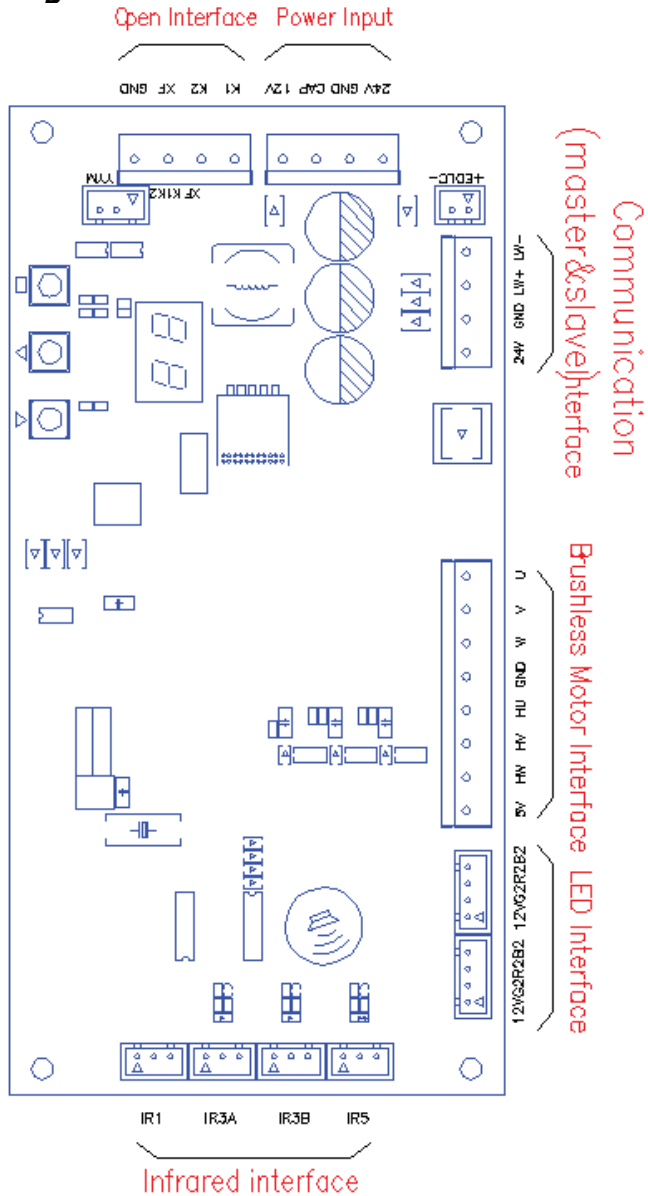
2. Installation site (as show below)




The PVC pipe is used for a 220V power supply line, and the communication wires between the master turnstile and the slave turnstile (Setting warning line during installation.) (buried in the ground below 100mm, the nozzle is more than 100mm above the ground)

Suggestion: Setting warning line during installation.

3. Wiring diagram



-  10A power breaker is needed!

Menu operation and function debugging

3.1. Setting board



Operation Instructions

1. Press [□] key for 3 seconds till LED display "00", press [△] or [▽] key to select the menu.
2. Press [□] to switch menus or parameters; The parameter display will flash. Press [△] or [▽] key to modify parameters.
3. After setting, press [□] key 1 second till LED shows "_ _" to save the parameters successfully.
4. Re-press the [□] key 1 second till LED shows "- -" to exit the menu; The operation is valid within 3 minutes after power-on.

3.2. Parameter setting

Menu	Factory default	Parameter name	Function Description	Remark
01	02	Gate address	02	

Menu	Factory default	Parameter name	Function Description	Remark
02	01	Gate type	01 Swing barrier	
21	50	Opening speed		
23	55	Opening deceleration angle		
24	00	Gate full opening angle		
25	10	Gate full opening speed		
26	00	Closing speed		
27	00	Gate closing acceleration angle		
28	15	Gate closing deceleration angle		
29	4	Gate full closing angle		
30	10	Gate full closing speed		
40	00	Gate full closing speed	High position: 0 Reverse controlled 1 Reverse freedom 2 Reverse prohibition Low position: 0 Positive controlled 1 Positive freedom 2 Forwardprohibition	

Menu	Factory default	Parameter name	Function Description	Remark
41	00	Opening gate memory	00 No memory 01 Opening gate memory mode Application of tripod turnstile 02 IR3 memory mode Application of flap turnstile 03 IR5 memory mode Application of swing gate	
42	02	Intrusion opening control	00 Intrusion opening is allowed 01 Intrusion opening is prohibited 02 Positive side intrusion allowed, opposite side intrusion prohibited	
43	01	Intrusion alarm control	00 Intrusion allowed 01 Intrusion alarm 02 Intrusion IR3 alarm	
44	01	Opposite side intrusion control	00 Intrusion opening gate 01 Intrusion closing gate 02 Intrusion forced closing gate 03 Intrusion closing gate reopened	
45	01	Trailing alarm control	00 Trailing allowed 01 Trailing alarm mode 1 02 Trailing alarm mode 2 03 Trailing alarm mode 3	
46	00	Infrared anti-pinch model	10 Anti-pinch stop 11 Anti-pinch open 20 Anti-pinch open and delay 1-9s to Close the gate	
47	00	Current anti-pinch model	12 Anti-pinch stop 13 Anti-pinch open 20 Anti-pinch open and delay 1-9s to Close the gate	
99	XX	Factory settings	00 Save can restore factory default XX Display software version	

3.3. Status information

Code	Description
"----"	Normal display
" 1"	Power-on display: turnstile address 1 stand-alone mode
" 01"	Power-on display: turnstile address 1 master&slaver successfully connected
" 2"	Power-on display: turnstile address 1 stand-alone mode
" 02"	Power-on display: turnstile address 1 master&slaver successfully connected

3.4. Error code

Code	Description
"E1"	Motor failure
"E2"	Encoder failure
"E3"	Infrared failure
"E4"	Low-voltage fault
"E5"	Over current failures

12.8 Packing list

No.	Name	Unit	Quantity	No.	Name	Unit	Quantity
1	Turnstile	pcs	1	4	Expansion screw	pcs	6
2	Certificate	pcs	1	5	Sync key	pcs	1
3	BP-FB313	pcs	1	6	key	pcs	2

Product maintenance

4.1. Maintenance

The housing of swing barrier is made of 304 stainless steel and is integrally stamped and formed. External reasons may cause scratches and rust spots on the surface. Use sandpaper and green gauze or putty powder to clean the chassis, and wipe along the long lines during sanding to avoid damage, the surface can be coated with anti-rust oil.

Always use a soft fabric to wipe off the dust and oil on the surface of the chassis to keep it clean.

Regularly check the wiring of the control board whether there are looseness, poor contact, etc., and keep the control equipment in a ventilated and dry place. Do not wash or soak in water to ensure the stability of its performance and increase the service life of the product.

Regularly check the connection of the connecting parts and moving parts of the housing, and tighten the loose fasteners.

Regularly check the reducer motor for oil leakage and other defects.

Regularly check whether the infrared pair radio eye is clean, and clean it regularly to avoid triggering false alarms.

Regularly check the connection of the system protection ground to ensure that the system protection ground contact is reliable.

Remark: Must cut off the power before housing care.

Maintenance and Care should be done by professional stuffs.

Service term of after-sale

From the date of purchase, under normal use, if the product has quality problems, the whole machine will be guaranteed for free within one year.

1. Warranty service: If there is a quality problem with the product during the warranty period, the user can go to the local after-sales service center to enjoy the warranty service.
2. Maintenance service: For products outside the warranty period or subject to exclusions, if there is a quality problem, the user can go to the local after-sales service center or entrust a dealer to request maintenance service.
3. The following situations are not covered by the free warranty.
 - A. The user does not install and use in accordance with the instructions, causing damage to the product.
 - B. The power supply is unstable, exceeds the specified range of the product, or does not meet the national safety power standard, which causes the product to be damaged.
 - C. The product is damaged due to irresistible factors such as natural disasters.
 - D. It has been repaired and modified by a service unit or individual not authorized by the company.
 - E. The appearance is damaged due to improper use by the user.

Warranty card

Client`s name		Telephone	
Client`s address			
Purchase date		Product number	
<p>1. This card must be completed and it will take effect after being stamped with the seller`s seal.</p> <p>2. This product is guaranteed for free within one year, and only the material fee will be charged for lifetime maintenance after the warranty period.</p> <p>3. Use in violation of this product manual or disassemble the machine by yourself is not covered by the warranty.</p>			



Statement

1. Due to product improvements/changes, the contents of the manual may be changed without notice.