



User Manual

WIRELESS INFRARED BARRIER
BP-WAIR30-6



Enjoy it.

Wireless IR Barrier User Manual (v2.1)

Summary

The wireless IR barrier is designed for preventing intruders from a protected area by crossing the IR line between transmitter and receiver. Easy installation without wires, more suitable for the places which aren't good for wiring.

Features

1. Definitely wire-free design, easy to install and operate.
2. Low voltage consumption, long battery life.
3. Fully-sealed PC tube adopted, well against dust or water.
4. IP65 approved.
5. Low voltage reminding. If turning to 2.9V, low-voltage signal will be sent to alarm host
6. 433MHz wireless coding.
7. Lightning protection design can avoid being struck by lightning.

Product Diagram

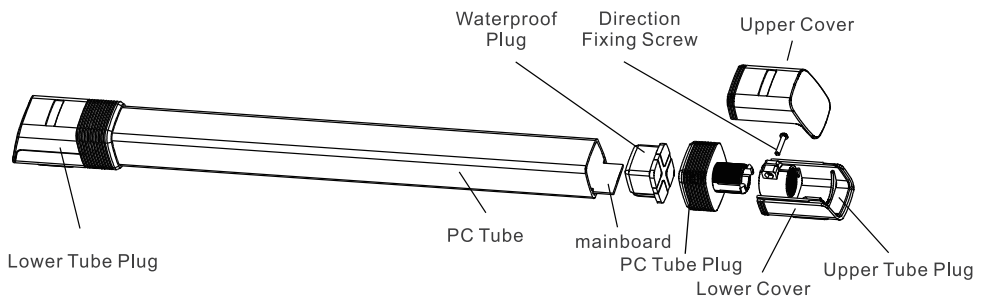


Figure 1

Installation Precautions

1. Pay attention to the alignment direction to prevent water,

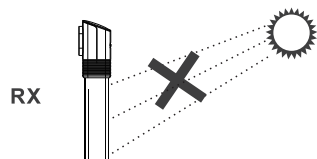
Caution:

- 1). This side must be upward
- 2). The distance between RX and TX is $\leq 10m$ or $\leq 30m$
- 3). This side is the back side, RX and TX must be installed face to face and no obstacles between them

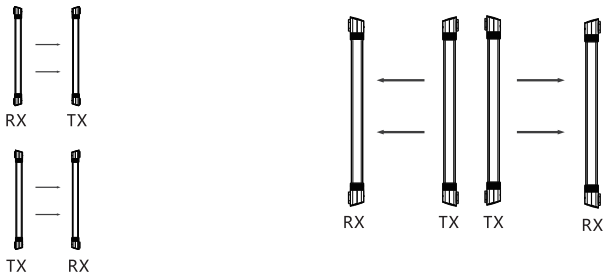


2. Prevent the strong light which may cause false alarm, do not install at the strong light or direct sunlight

If installation is in the light or direct sunshine needs to prevent the inner optical device from the direct sunlight.



3. To install two pairs or more pairs wireless barriers, in order to avoid the disturbance of the infrared signal from same channel, install as below:



Installation Instructions

1. Take off the upper tube plugs and waterproof rubber plugs then pull out PCB.



Figure 2

2. Function Setting

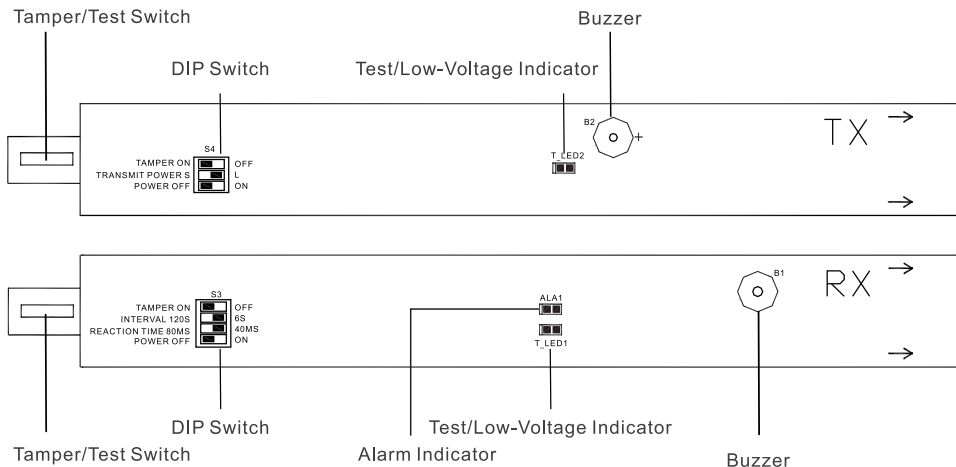
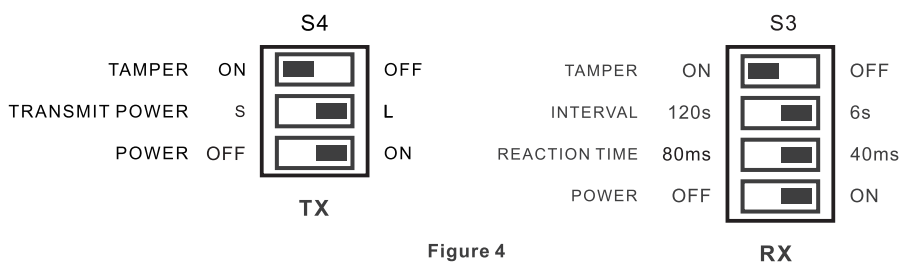


Figure 3

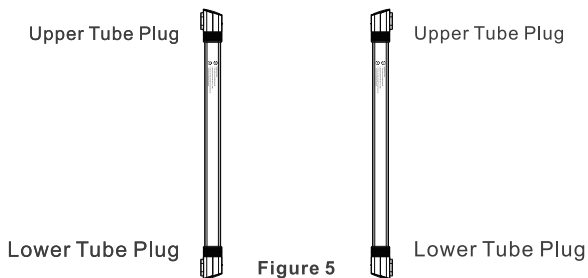
TX S4	Anti-Tamper	TAMPER	ON <input type="checkbox"/>	OFF <input type="checkbox"/>	On : Enabler anti-Tamper
		TAMPER	ON <input checked="" type="checkbox"/>	OFF <input type="checkbox"/>	Off :Disable anti-tamper
	Transmission power	TRANSMIT POWER	S <input checked="" type="checkbox"/>	L <input type="checkbox"/>	S : Small power detection distance reduces the half
		TRANSMIT POWER	S <input type="checkbox"/>	L <input checked="" type="checkbox"/>	L :Large power can reach the standard detection distance
	Power	Power	OFF <input checked="" type="checkbox"/>	ON <input type="checkbox"/>	OFF : Power off
		Power	OFF <input type="checkbox"/>	ON <input checked="" type="checkbox"/>	ON : Power on

RX S3	Anti-Tamper	TAMPER	ON <input type="checkbox"/>	OFF <input type="checkbox"/>	On : Enabler anti-Tamper
		TAMPER	ON <input type="checkbox"/>	OFF <input type="checkbox"/>	Off :Disable anti-tamper
	Alarm period	INTERVAL	120s <input type="checkbox"/>	6s <input type="checkbox"/>	Alarm period : 120s
		INTERVAL	120s <input type="checkbox"/>	6s <input type="checkbox"/>	Alarm period:6s
	Interruption period	REACTION TIME	80ms <input type="checkbox"/>	40ms <input type="checkbox"/>	Interruption period : 80ms
		REACTION TIME	80ms <input type="checkbox"/>	40ms <input type="checkbox"/>	Interruption period : 40ms
	Power	Power	OFF <input type="checkbox"/>	ON <input type="checkbox"/>	OFF : Power off
		Power	OFF <input type="checkbox"/>	ON <input type="checkbox"/>	ON : Power on

3. When power on, set RX/TX DIP on(as below), insert PCB into PC tube, put the plug in and cover the upper tube plug.
(Caution: do not oppose the upper or lower of the PCB.)



4. Drill installation holes by $\phi 6$ drill on the wall, fill in with equipped plastic expansion screws, then fix upper and lower installation base by M4*30 screws. Please keep TX and RX in same horizontal plane. (Upper plug tube must be installed on the up side while lower plug tubes on the lower side.)



5. Remove upper cover of lower tube plug for TX and RX, it is entering alignment mode after 4 beeps. Adjust it until buzzer doesn't beep. It enters normal working mode after well-alignment

Note:

RX will exit alignment mode automatically after 1 minutes failure.

RX re-entering alignment mode by putting back and remove upper cover of lower tube plug again, try the buzzer till stop beep.

TX will exit alignment mode putting back upper cover of lower tube plug.

6. Well screws the fixing directions after alignment, put back the upper cover of upper/lower tube plugs, try to active it, alarm triggered.

7. Coding to alarm host: Under normal working mode(no alarm triggered or no blocks between TX and RX within 6s/ 120s), alarm host is entering wireless coding mode. Block the barrier once, trigger alarm. It is well coded now.

Technical Parameter

Model	BP-WAIR30-6	
Maximum detection distance	30m	
Beams	6	
Dimensions	39*39*1020mm	
Working current	TX	280uA
	RX	155uA

Alarm current	0.3mA
Battery life	2 years
Wireless frequency	433 MHz
Interruption period	≤40ms
Waterproof grade	IP66
Wireless transmission distance	100m in open area
Working mode	Intteruption all beams or 1.2 beams, 3.4 beams, 5.6 beams, 7.8 beams from up to bottom

Troubleshooting

1. Can't align well

- Check power if it is on.
- Test battery voltage of RX and TX, change 2 new batteries if they are lower than 2.9V (Battery model: ER145051ithium)
- Check if anti-tamper is enabled.
- Check holder for lens if it is loosen, dropped or broken.
- Check PCB is fixed in right direction
- Check if there is any obstacles between TX and RX
- Check detection distance if it exceed

2. Doesn't work if wireless barriers are well blocked

- Buzzer doesn't beep if wireless barriers are blocked, please check TX and RX if they are under normal working mode. Pull out upper cover of lower tube plug of RX, buzzer beeps once a second, it is found out that wireless barriers are not aligned well, please do alignment again.
- Buzzer beeps while alarm host doesn't receive any signal if wireless barriers are well blocked. Please check the detection distance ensure it is within max range.

For Inquiries, Please contact:

Security Shop doo
Vladimira Nazora 1, 11077 Novi Beograd
Tel: +381 11 318 68 68
www.securityshop.rs

BLAUPUNKT and the BLAUPUNKT logo are trademarks of TALISMAN BRANDS (Luxembourg) S.A.R.L. and are used under license from Talisman Brands, Inc. BLAUPUNKT licensees are solely responsible for the BLAUPUNKT branded products manufactured, distributed and sold under license.
www.blaupunkt.com