

HYUNDAI
ELECTRONICS

VEGA CONTROLLER

HYU-AC-TACVCAX001

USER MANUAL

CONTROLLER



Quick Installation Guide

Please read this guide first for correct installation and retain it for future reference. The information in this guide has been authenticated at the time of publication. However, Hyundai reserves the right to make changes in product design and specifications without prior notice.

Copyright

All rights reserved. No part of this document may be copied or reproduced in any form or by any means without the prior written consent of Hyundai.

Warranty

Limited Warranty. Valid only if primary protection is provided, mains supply is within limit and protected, and environment conditions are maintained within product specifications. Complete warranty statement is available on our website:

Know Your Controller

Figure1: Front View

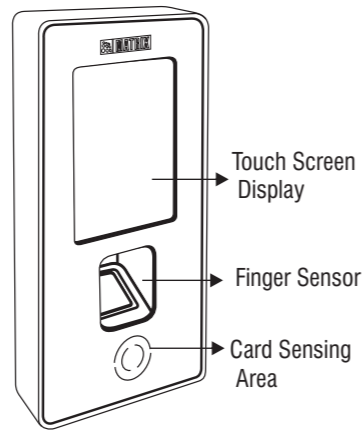


Figure2: Bottom View

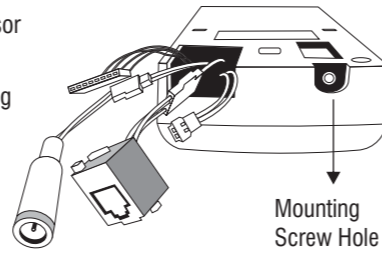
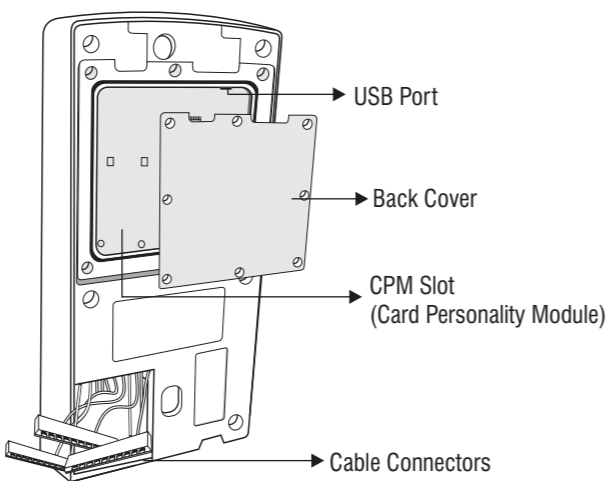


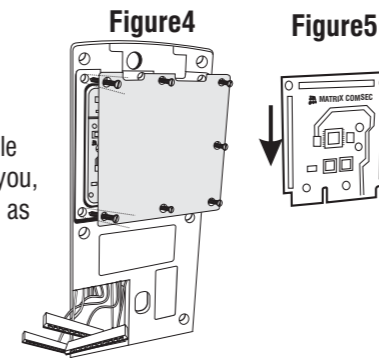
Figure3: Rear View



Inserting Card Personality Module

1. Remove the back cover of your device by removing all screws as shown in Figure 4.

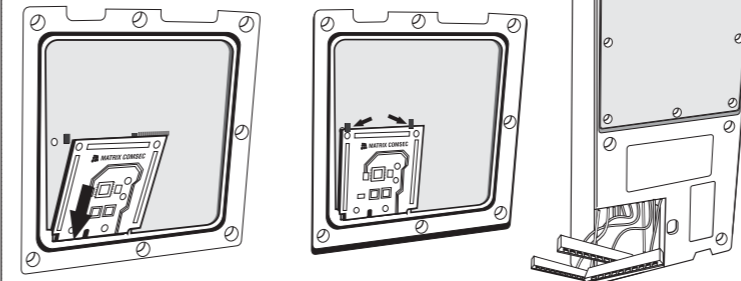
2. Hold the Card Personality Module with the smooth surface towards you, and the narrower end facing down as shown in Figure 5.



3. Lower the module in this position into the CPM slot as shown in Figure 6.

4. Press the free end of the module inwards with your fingertips to lock it in place as shown in Figure 7.

5. Replace the back cover as shown in Figure 8.



Technical Specification

Specification Parameters	FAX	CAX	FAXQ	FAXQE
Sensor	Yes	No	Yes STQC Certified	Yes STQC Certified
Credential Support	Card, Pin and Finger	Card and Pin	Card, Pin and Finger	Card, Pin and Finger
User Capacity	50,000			
Type of Card	EM Prox, HID Prox, HID iclass & Mifare			HID iClass & Mifare
USB	1 USB for Data Transfer and for 3G-4G dongle			
Communication Port	Ethernet, Wi-Fi, Mobile Broadband (3G-4G)			
Reader Interface Types	RS232 and Wiegand			No
Reader Power Output	Internal 12 VDC @ 0.2A			No
Door Lock Relay	Relay SPDT, FormC, 1A@ 30 VDC			No
Door Lock Power	Internal 12VDC @0.5A or External			No
Auxiliary Outputs Relay	Relay SPDT, FormC, 1A@ 30 VDC			No
Input Power	12 VDC @2A			
Built in POE	IEEE 802.3 af Class ; Max 12W			No
Built in Wi-Fi	Yes			
Battery Backup	No Internal battery backup, External Through PSBB			
Operating Temperature	0°C to +50°C			

What Your Package Contains

- COSEC VEGA Controller Unit
- Mounting Plate with screw M3/6
- 2 Screws M5/25
- 2 Screw Grips
- Power Supply Cable (with DC Jack)
- Power Adaptor 12VDC,2A
- Exit Switch Cable
- EM Lock Cable
- Ethernet Cable with RJ45 Plug
- Auxiliary I/O Cable
- Quick Installation Guide

Exit Switch cable, EM Lock cable, External Reader Cable and Auxiliary I/O Cable are not in the package of FAXQE.

WARNING

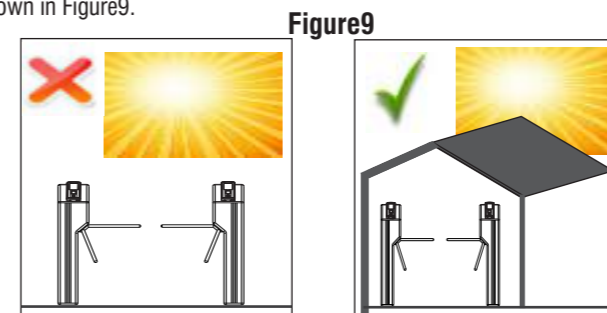
- Installation and servicing should be done only by a qualified technician.
- There are no user-serviceable parts inside.
- Opening or removing the device cover may result in electric shock or exposure to other hazards.
- Use this product only for the purpose for which it was designed.

Things You Will Need

- A Power Drill
- A wire Stripper
- A screw driver set
- Insulation tape
- Access to Server application to configure controller on Server.
- A stand-alone computer with a web- browser to change the network settings of controller.

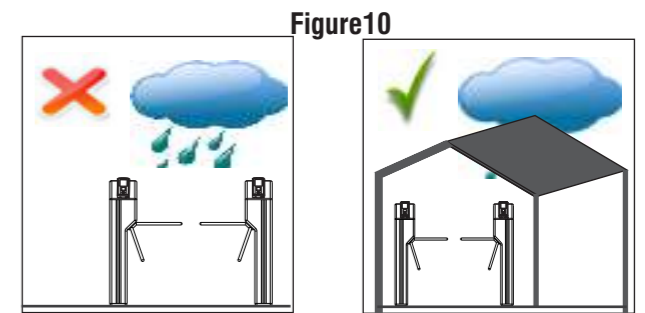
Pre-Installation Safety Instructions

1. Do not install the device in extremely hot temperature or under direct sunlight on turnstile or at extra bright places. This may affect the LCD and finger print sensor of device. You can do indoor installation or on the turnstile under the roof as shown in Figure9.



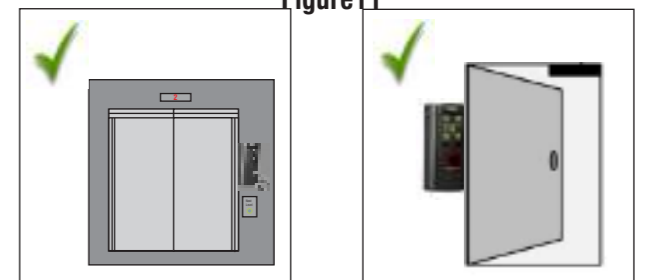
2. You can mount the device on a flat surface such as a wall or Elevator, close to the access point (door) with surface wiring or concealed wiring as shown in Figure11.

5. Do not install the device in outdoor areas which may be exposed to rain, cold and dust. You can do indoor installation or on the turnstile under the roof as shown in Figure10.



3. Recommended height from ground level is upto 4.5 feet.

4 Do not install on unstable surfaces, near volatile inflammable materials, areas where volatile gas is created, where ferromagnetic field or noise is induced, where static is created, such as desks made of plastics, carpets.



Installation Instructions

Step 1 Trace screw holes A and B on Mounting Plate. If required, trace out rectangular opening C also. Drill screw holes along the traced markings.

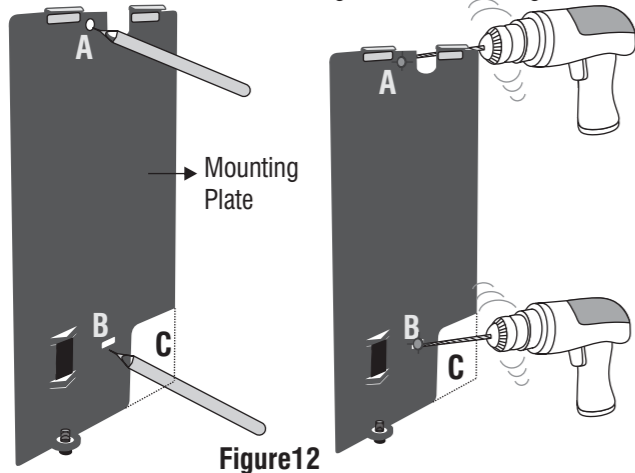


Figure 12

Step 2 Fix Mounting Plate with supplied screw grips & screws

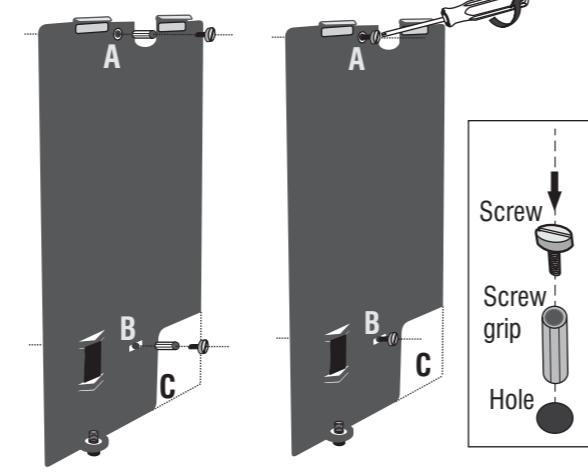


Figure 13

Step 3 Connect cables and lead all the cables through rectangular hole into electrical box recessed in the wall i.e. **concealed wiring** or through the bottom of device in **non-concealed wiring**.

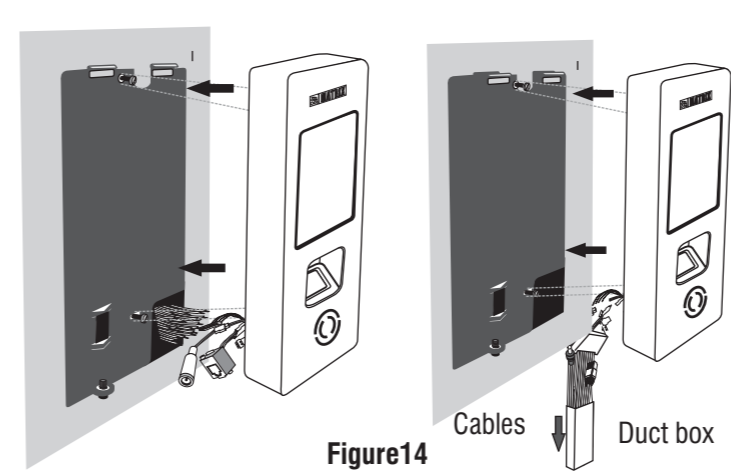


Figure 14

Step 4 Align COSEC VEGA on mounting plate and slide downwards.

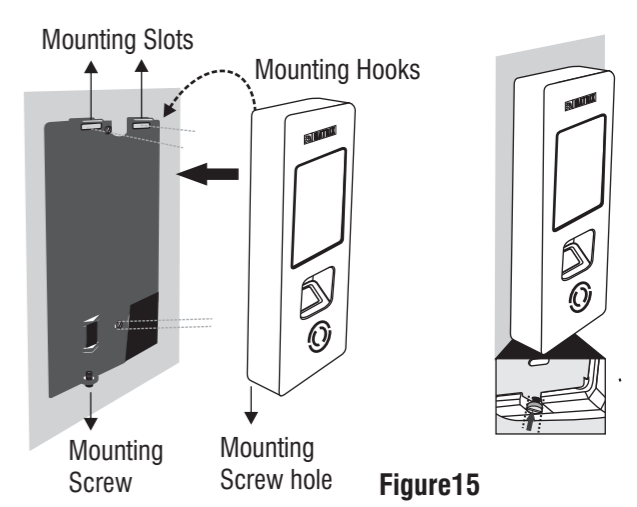


Figure 15

Step 5 Fix the Mounting Hook of the door by sliding the back side of door into the Mounting Slot of mounting plate.

Insert the mounting screw attached on the mounting plate into the mounting screw hole at the bottom of the device.

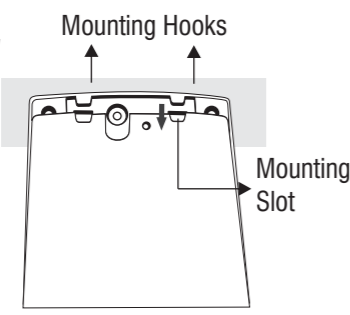
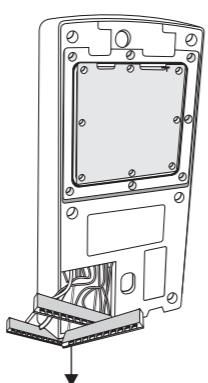


Figure 16

Tighten screws at the bottom as shown in Figure 16.

Make the electrical connections of Power, Exit Switch, EM Lock, Ethernet, AUX I/O Connector and External Reader as per respective wire color code mappings shown in respective connectors.

For Concealed wiring; first draw out sufficient length of the cables from the rectangular hole you have cut on the mounting surface.



Cable Connectors (CN1 to CN6)

- Power** (CN1)
 - 1 GND- Black
 - 2 +12VDC IN- Red
- Exit Switch** (CN2)
 - 1 Exit Sw- White
 - 2 GND- Black

- EM Lock** (CN3)
 - 1 LOCK TMPR -Light Blue
 - 2 LOCK RLY NO - Yellow
 - 3 LOCK RLY COM- Dark Brown
 - 4 LOCK RLY NC - Dark Blue
 - 5 GND-Black
 - 6 DOOR STS-White
 - 7 UNUSED-NA
 - 8 GND-Black
 - 9 UNUSED-NA
 - 10 +12V LOCK-Red

- Ethernet** (CN4)
 - 1 UNUSED-NA
 - 2 COM 2- Yellow
 - 3 UNUSED-NA
 - 4 COM 1- Green
 - 5 RX+ -Dark Blue
 - 6 RX- -Light Blue
 - 7 TX+ -Red
 - 8 TX+ -Light Brown
- AUX I/O Connector** (CN5)
 - 1 AUX RLY NC- Dark Blue
 - 2 AUX RLY NC- Dark Blue
 - 3 AUX RLY NO- Yellow
 - 4 AUX IN +- White
 - 5 GND- Black

- External Reader** (CN6)
 - 1 +12V RDR-Red
 - 2 GND- Black
 - 3 GREEN LED- Orange
 - 4 RED LED- Dark Brown
 - 5 STATUS- Light Brown
 - 6 ALARM- Violet
 - 7 BEEPER- Yellow
 - 8 HOLD- Dark Blue
 - 9 DATA 0- Green
 - 10 DATA 1- White
 - 11 TMPR/CTRL- Light Blue
 - 12 UNUSED-NA
 - 13 RS 232 RX- Pink
 - 14 RS 232 TX- Grey
 - 15 UNUSED-NA

Connecting the Cables

Certification

Compliance	FAX	CAX	FAXQ	FAXQE
EMC Directive 2017/30EU(CE)	✓	✓	✓	✓
Low Voltage Directive 2014/35/EU(CE)	✓	✓	✓	✓
ROHS Recast (RoHS 2)	✓	✓	✓	✓
BIS As per IS 13252:2010	✓	✓	✓	✓
Vibration (sinusoidal) as per IS-9000-Part 7	✓	✓	✓	✓
Shock as per IS-9000-part-7	✓	✓	✓	✓
Degree of Protection (IP 65) as per IS/IEC 60529:2001	✓	✗	✗	✗

Connecting to Server

Disposal of Product after End-Of-Life

Assigning IP Address & Other Network Settings

- Open the Web browser in your computer.
- Enter the IP address of the VEGA Controller (default: <http://192.168.50.1>) in the address bar of the browser and press the Enter key on your computer keyboard.
- When prompted, enter the login credentials for the Door.

Default Username: **Admin**
 Default Password: **1234**
- Click **OK**.
- On the Door Web page, select the **Settings** link. Go to **LAN Settings**. Enter the IP address to be assigned to the Vega Controller and configure Subnet Mask, Gateway IP address, Preferred and Alternate DNS as required as shown in Figure 17.
- You can also configure **Wi-Fi** or **Mobile Broadband** settings.
- Go to **Basic Profile** and select the server as **COSEC CENTRA** or **COSEC VYOM** and the door type as **Direct Door** or **Panel Door** as shown in Figure 18.
- Go to **Server Settings** and enter the URL and Port of the selected server where the device is to be connected as shown in Figure 19. For COSEC VYOM, you must specify Tenant ID also.
- Then click **Submit** to save the Settings.
- The device will come online if the monitor service is running.

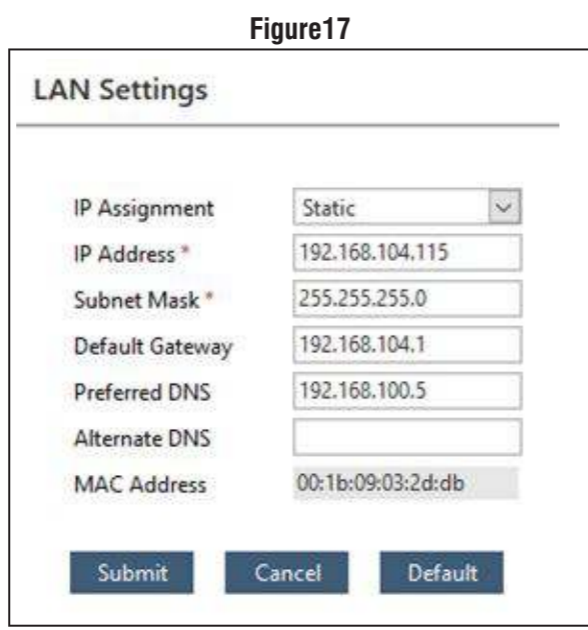


Figure 17

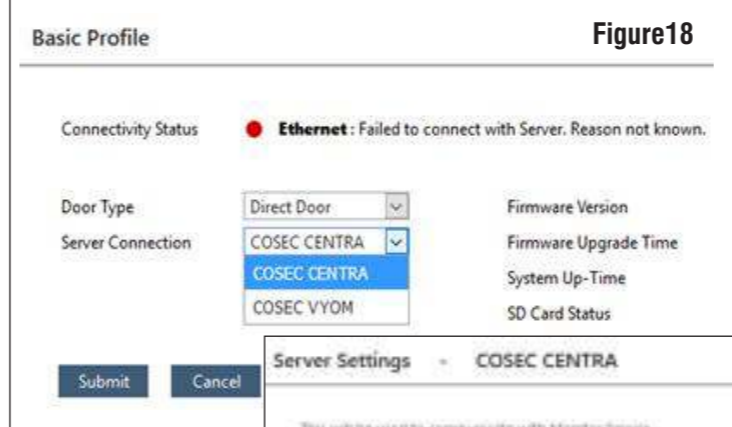


Figure 18



Figure 19

WEEE Directive 2002/96/EC

The product referred is covered by the waste Electrical and Electronic Equipment (WEEE) directive and must be disposed of in a responsible manner. At the end of product life cycle; batteries, soldered boards, metal components and plastic components must be disposed through recyclers. If you are unable to dispose-off the products or unable to locate e-waste recyclers, you may return the products to Matrix Return Material Authorization (RMA) department.

For Inquiries, Please Contact:

Security Shop
Vladimira Popovica 6/6/A606
11070 Novi Beograd, Serbia
Tell +381 11 318 68 68
office@securityshop.rs

Imported/Distributed by Security Shop Doo
Licensed by Hyundai Corporation Holdings, Korea
Delivery and After Service shall only be covered within Serbia