

**HYUNDAI**

# **IP Video Outdoor Station HYU-IN-IVI001**

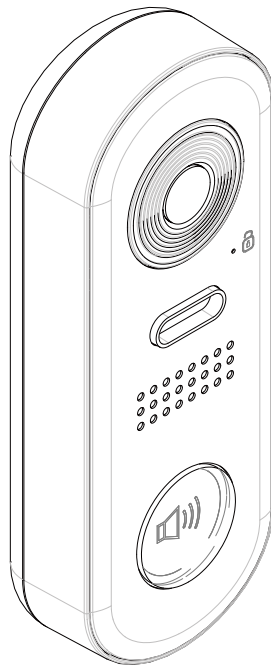
---

**USER MANUAL**

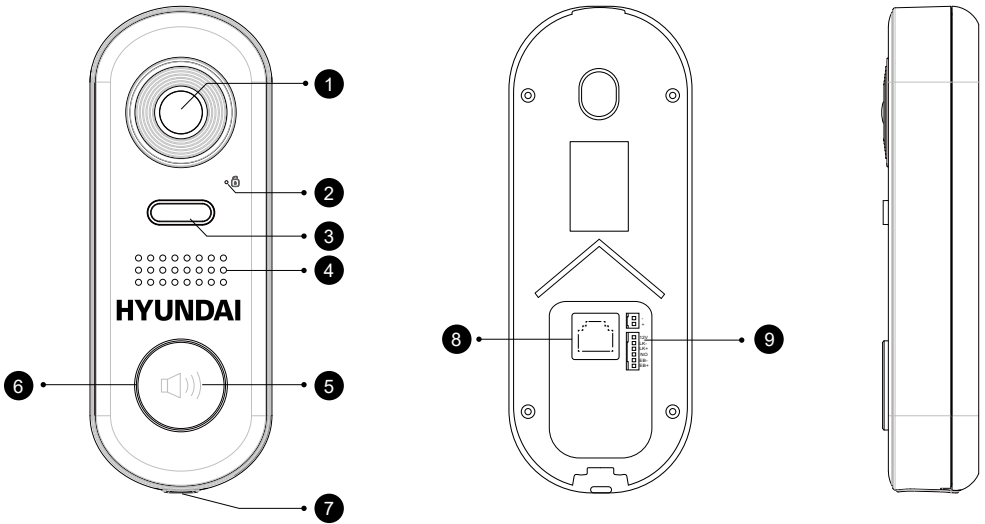
# IP Video Outdoor Station HYU-IN-IVI001

---

User Manual  
**HYUNDAI**



# 1.Parts and Functions



## 1 Camera Lens

## 6 LED\_KEY

Indicates monitoring,calling,unlock status.

## 2 LED\_LOCK

Indicates unlock status.

## 7 Microphone

## 3 LED\_CAM

Indicates monitoring status.

## 8 Lan connector

Use to connect the door station to the network.

## 4 Speaker

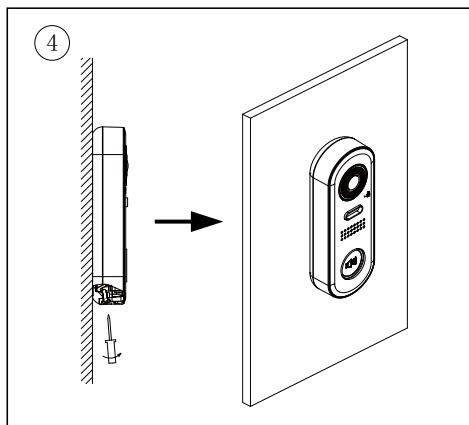
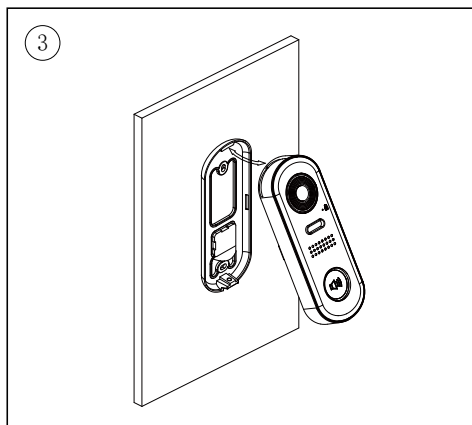
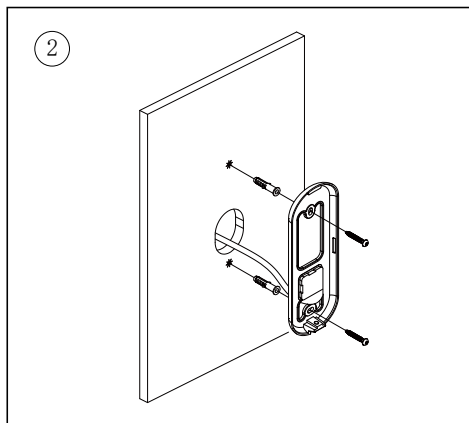
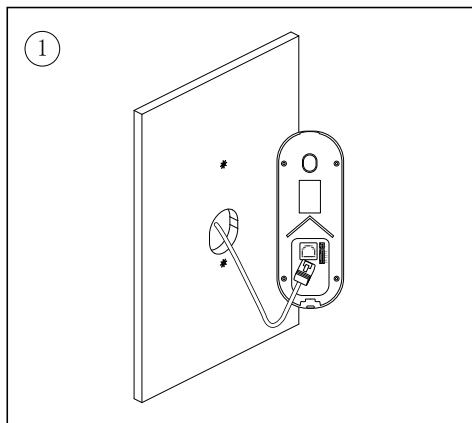
## 9 Terminal connector

Use to connect external devices to the door station

## 5 Call button

Press to call the indoot station(residerent).

## 2.Mounting



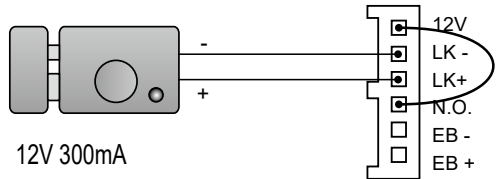
1. Installation height for door station usually is 145~160cm.
2. Use screws to fix the back panel to the wall after connect the cable correctly.
3. Attach the front panel to the back panel, then use the screw to fix it.

## 3.Electric Lock Connection

### Door Lock Controlled with Internal Power

Note:

1. This mode only supports electromagnetic locks.
2. Electromagnetic lock of Power-off-to-unlock type should be used.
3. The door lock is limited to 12V, and holding current must be less than 250mA.
4. The **Unlock Mode** Parameter of Monitor must be set to 1 (by default).

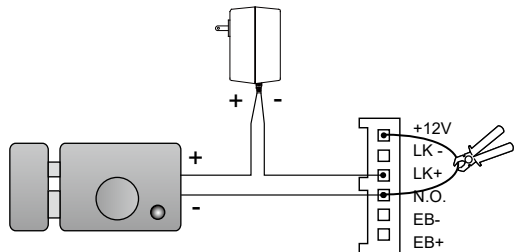


set to Normally open on the Unlock Relay mode

### Door Lock Controlled with Dry Contact

Note:

1. The external power supply must be used according to the lock.
2. The inside relay contact is restricted to AC or DC 24V/1A.
3. Setup the **Unlock Mode** of Monitor for different lock types.
  - Power-on-to-unlock type:Unlock Mode=0 (by default)
  - Power-off-to-unlock type:Unlock Mode=1



set to Normally Open on the Unlock Relay mode (default)

## 4. Door station operations

### Call button bind in Villa

Connect all devices and power on:

On indoor station(IX471)

1. From the main menu, tap "**Setting**" icon.
2. Select "**Ext.Unit**", and then tap "**Auto setup wizard**" item.

Door station will be renamed and call button will be bound to this monitor

### Call button bind in Apartment

Connect all devices and power on:

On indoor station(IX471)

1. From the main menu, tap "**Setting**" icon.
2. Select "**Ext.Unit**", and then tap "**Enter OS binding**" item.

On door station

1. Power on the door station.
2. Press and hold the **call button** 10s.  
-LED\_CAM will flash once in the 5th second, and flash again in the 10th second.
3. The binding is successful.

### Calling a resident

Press the **Call button** to call.

### Status check

Press and hold the **Call button** 5s.

-LED\_CAM will flash once.

The status prompts are as follows:

Status \ LEDs	LED_LOCK	LED_KEY
SIP registered ok	Fast flashing	
SIP registered error	Normal flashing	
SIP disabled/Not connected	off	
My master IM found		Fast flashing
Other IX devices online, but master offline		Normal flashing
No other IX device detected		off

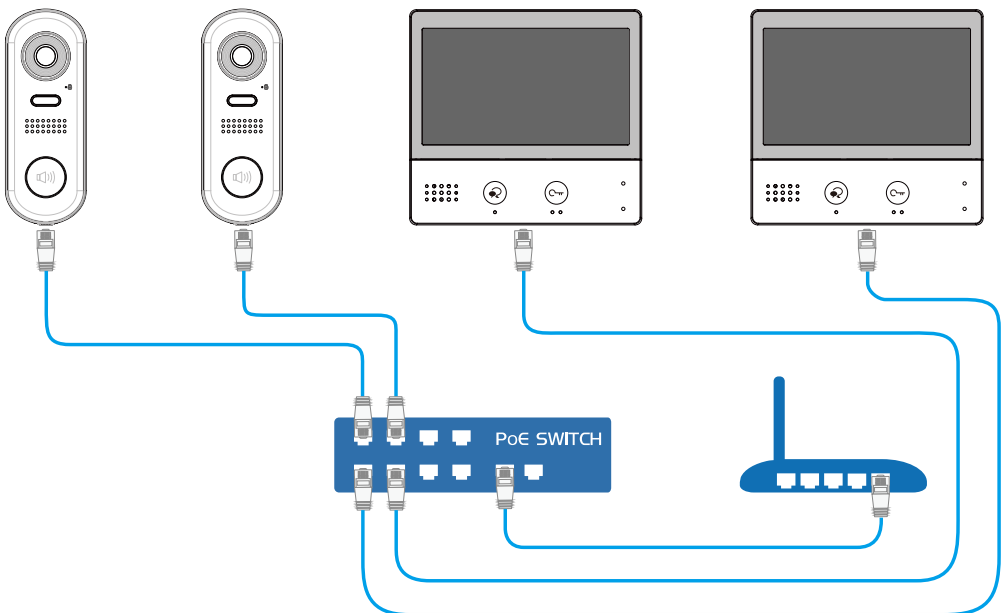
## 5. Specifications

- Power Source: Power-over-Ethernet (IEEE 802.3af Class 0)
- LAN Interface: 10 BASE-T / 100 BASE-TX Ethernet (RJ-45)
- Camera: Type 1/3.7" Ultra Sense, ISP with 77dB WDR
- Len angle: 170 degree with Fisheye correction
- Minimum illumination: 5 lux
- Wire Type: Cat-5e or Cat-6
- Wiring Distance: 100m (Approx. 330')
- Operating temperature: -10 to +50 (oC)
- Protection: IP65;
- Dimension: 160(H)×60(W)×31.5(D)mm

## 6. Precautions

- Please clean the unit with soft cotton cloth, don't use the organic impregnant or chemical clean agent. If necessary, please use a little pure water or dilute soap water to clean the dust.
- The unit is weather resistant. However do not spray high pressure water on access control keypad directly. Excessive moisture may cause problems with the unit.
- You must use the right adaptor which is supplied by the manufacture or approved by the manufacture..
- Pay attention to the high voltage inside the products, please refer service only to a trained and qualified professional.

## 7. Single family wiring





# HYUNDAI

## **For Inquiries, Please Contact:**

**Security Shop**  
**Vladimira Popovica 6/6/A606**  
**11070 Novi Beograd, Serbia**  
**Tell +381 11 318 68 68**  
**[office@securityshop.rs](mailto:office@securityshop.rs)**

Imported/Distributed by Security Shop Doo  
Licensed by Hyundai Corporation Holdings, Korea  
Delivery and After Service shall only be covered within Serbia