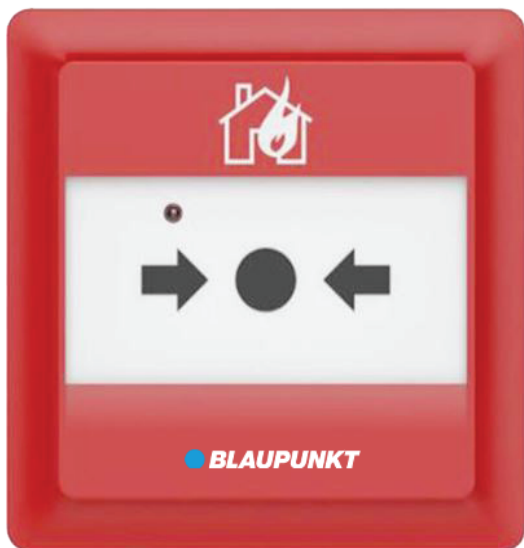




User Manual

ADDRESSABLE MANUAL CALL POINTS
BP-FD-AMCP305



Enjoy it.

Instruction Manual of BP-FD-AMCP305 Addressable Manual Call Points

----- Please read this Manual carefully before installing and using the product. -----

I. Overview

The BP-FD-AMCP305 Addressable manual call point (hereinafter referred to BP-FD-AMCP305 Addressable) is mainly designed to be used with an intelligent two-bus control system. If it is pressed after a fire is manually confirmed, an alarm signal may be sent to a fire alarm control system which will, after receiving the alarm signal, display the coded address and the equipment status of the manual fire call points. When the manual fire call points is operating normally, the red indicator will blink; when there is a fire alarm, it will remain lit. The BP-FD-AMCP305 Addressable supports electronic coding, more suitable for engineering application convenient.

II. Product characteristics

1. Semi-flush or surface mounting
2. Compatible with the latest EN standards
3. Lever reusable (non-glass break)
4. LED indicator
5. Full electronic coding, through CODER-9001 encoder scene rewrite



III. technical parameters

1. Executive Standard: EN54-11
2. Protection class: IP43(Not EN54-11 approved)
3. Operating voltage: 24V (pulse modulation)
4. Operating Current: monitoring status <math><0.3\text{mA}</math>, alarm status <math><2\text{mA}</math>
5. Application: For indoor use
6. Operating temperature: $-10\text{ }^{\circ}\text{C} \sim 55\text{ }^{\circ}\text{C}$, Relative humidity: $\leq 95\%$ (non-condensing)
7. Indicator: Red alarm indicator flashes when data logging, press the manual button lit work
8. Encoding: coded by the encoder, the address range from 1 to 324 optional
9. Materials and colors: ABS, red
10. Wiring: The Promise of two bus system (L1, L2)
11. Size: $90\text{mm} \times 90\text{mm} \times 42\text{mm}$ (overall height) / $90\text{mm} \times 90\text{mm} \times 23\text{mm}$ (exposed after installation dimensions)
12. Mating Host: BP-FD-ACP300-1L fire alarm control panel
13. Weight: about 95g

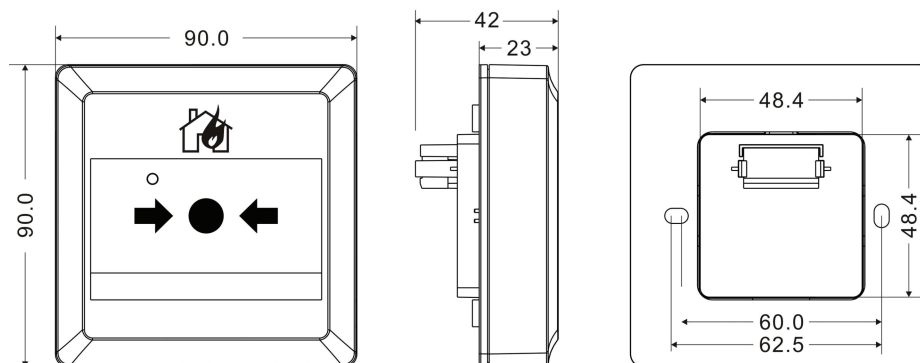
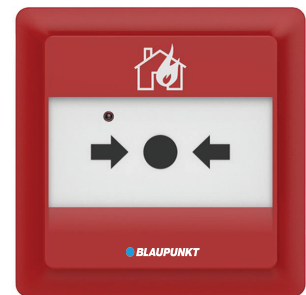


Fig. 1 Main part

IV. Mounting base

BP-FD-AMCP305 Addressable should comply with all local codes, NFPA70 National Electrical Code, BS5389 and EN54. Shown in Figure 2, the first one embedded box buried in the wall where the BP-FD-AMCP305 Addressable and then fixed to the base of the embedded box.

Base dimensions of 90mm × 90mm × 6.5mm (Length × width × height), mounting hole diameter Ø5mm, fixing hole spacing is 60mm ~ 62.5mm, line pipe from the base lower penetration into the line shown in Figure 3.

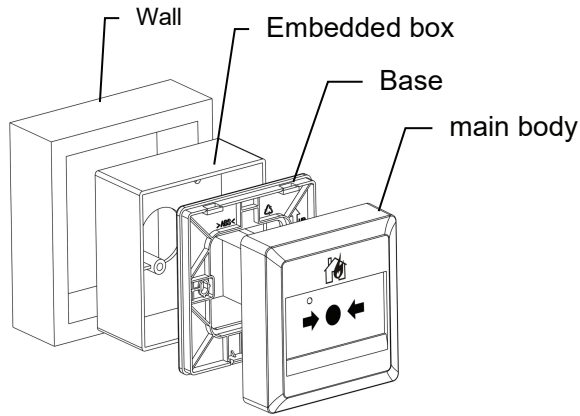


Fig.2

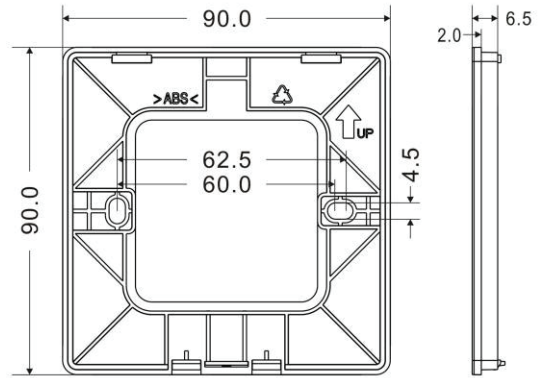


Fig. 3 Base

V. Wiring and Connections

According to the wiring diagram, connect the wires to the desired end. Figure 4 shows, it is proper to use RVS twisted pairs with a section of area of equal to or larger than 1.0mm² for the signal buses L1 and L2.

VI. Use

Address coding: The address of the BP-FD-AMCP305 Addressable, you can hand-held encoder programming, the encoder must be purchased separately. The output of the encoder plug into the socket on the Addressable (see Figure 4 Encoder Interface), set the coder with the coding function, compile the correct address code and press the RUN key to complete the address code setup. Note: See the User's Manual of the coder for detailed operation.

Start: When there is a fire manual confirmation, press the pressing sheet on the panel of BP-FD-AMCP305 Addressable (see Fig.5). After the manual fire alarm is given, the ALARM indicator will remain lit.

Reset: The special tool into the manual reset button on the side of the hole being depressed can make restitution by piece. Reset the fire alarm control system and restore the BP-FD-AMCP305 Addressable to the normal monitoring status.

VII. Precautions

1. A manual fire call points cannot share an address with other equipment in a single bus circuit, or else an address conflict may occur.

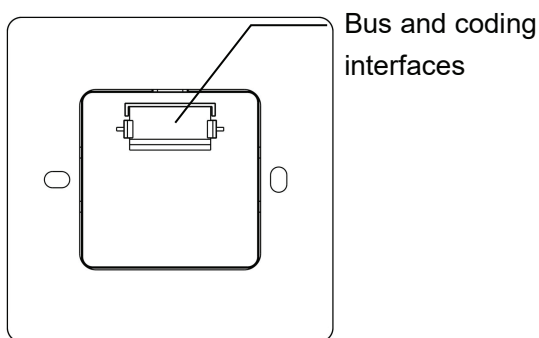


Fig. 4

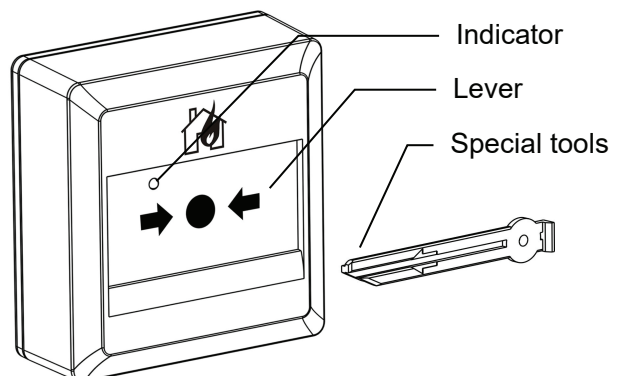


Fig. 5

For Inquiries, Please contact:

Security Shop

Vladimira Popovica 6/6/A606

11070 Novi Beograd, Serbia

Tell: +381 11 318 68 68

office@securityshop.rs

Imported/Distributed by Security Shop doo

BLAUPUNKT and the BLAUPUNKT logo are trademarks of
TALISMAN BRANDS (Luxembourg) S.A.R.L. and are used
under license from Talisman Brands, Inc.

BLAUPUNKT licensees are solely responsible for
the BLAUPUNKT branded products manufactured,
distributed and sold under license.

www.blaupunkt.com