



User Manual

100V 6.5 INCH FIREPROOF CEILING SPEAKER
BP-PA-SP6W-EN



For Inquiries, Please contact:

Security Shop doo
Vladimira Nazora 1, 11077 Novi Beograd
Tel: +381 11 318 68 68
www.securityshop.rs

BLAUPUNKT and the BLAUPUNKT logo are trademarks of TALISMAN BRANDS (Luxembourg) S.A.R.L. and are used under license from Talisman Brands, Inc. BLAUPUNKT licensees are solely responsible for the BLAUPUNKT branded products manufactured, distributed and sold under license.
www.blaupunkt.com

Enjoy it.

Introduction

Thanks for using our speaker products. All our products are tested strictly before leaving the factory, with guaranteed quality. Our speakers are widely used in such places as schools, gymnasiums, square halls, parks, parking lots, railway stations, airports, villa communities and mall supermarkets, etc., and they will be your ideal choice for public address system.

For better installation, commissioning and use of the product, please read this manual in detail before installation.

Profile of Product

Product features

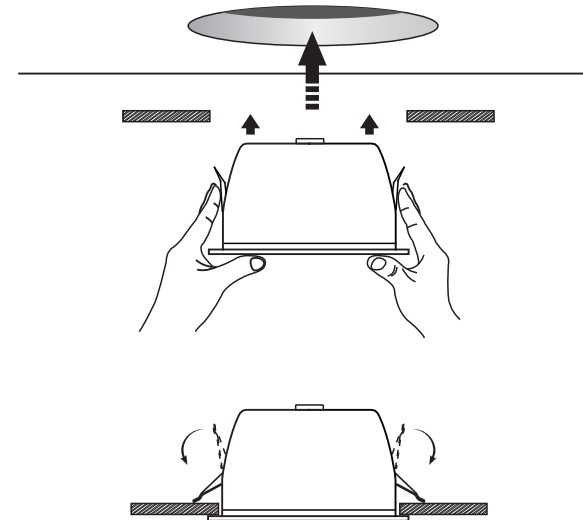
- Ceiling Loudspeaker adopts the fashionable thin-edge plane big cylinder and the carbon alloy aluminum mesh design with the RAL white coating so as to integrate with any indoor place perfectly.
- Equipped with a 6.5" unit, full-range designed loudspeaker with magnetic circuit encapsulated with special engineering plastic process, and the drum paper formed with tripping and hot pressing of algae salved organisms, for the purpose of super-strong reproduction of voice and music.
- Equipped with fireproof Hood, enhance the protection of electric cable connection terminal.

Quality assurance

- Products designed to withstand operating at their rated power for 100 hours in accordance with IEC 268-5 Power Handling Capacity (PHC) standards.
- It has also developed the Simulated Acoustical Feedback Exposure (SAFE) test to demonstrate that they can withstand two times their rated power for short durations.

Emergency	According to BS 5839-8 According to EN 54-24
CE	Declaration of Conformity
Safety	According to EN 60065
UL compliancy	According to UL 94 V 0

3. Turn up the spring clips of the loudspeaker at both sides and insert into the installation hole, and let go, and then push slightly the loudspeaker into the ceiling (see figure below). **In order to prevent the injury trapped by the spring, it is recommended to wear the working gloves when carrying out this operation.**



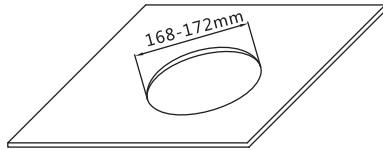
4. Finally, inspect whether it is installed in a firm and reliable way.

Packing list

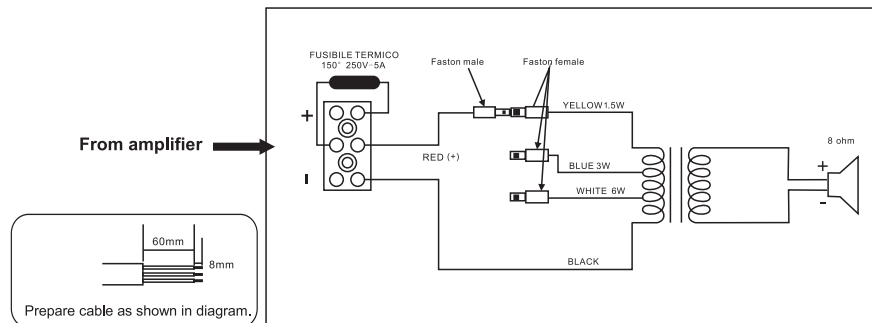
Component	Quantity
Ceiling loudspeaker	12
Operation instructions	1

Installation method

- 1、 Cut a Ø168mm-Ø172mm installation hole on ceiling as shown above.



- 2、 Connect the audio broadcast transmission line. Select suitable terminal connection according to the table below as required by the actual power need:

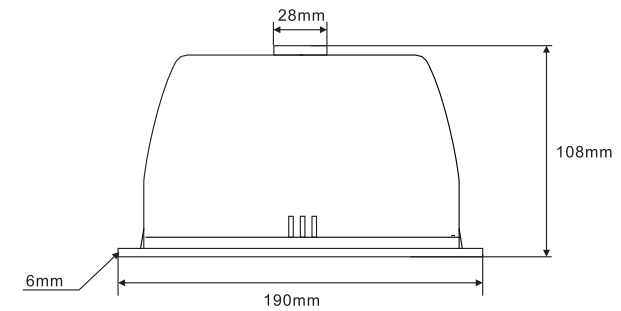
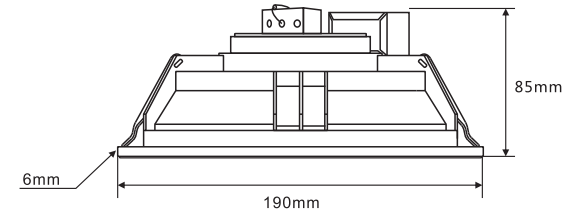


Pins specifications:
 + = Positive 100V line
 - = Negative 0V (Ground)

One of the two FASTON connectors can be used for mechanical safety fixing through the steel cord provided, inserted into the hole of FASTON.
 The power of the speaker is selected by inserting the male FASTON (RED wire) into the female FASTON of the desired power: YELLOW wire (6 W), BLUE wire (3W), WHITE wire (1.5 W).

Warning: To remove the male connector from the female connector, press the release tab.
 Once the connections are finished, close the protective cover with the supplied screws and tighten the flare nuts of the cable in order to ensure sealing and securing of cables.

Product Information

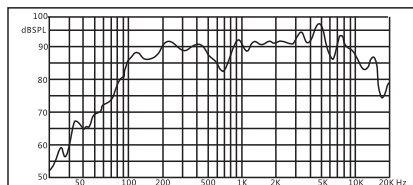


Back cover and rear view

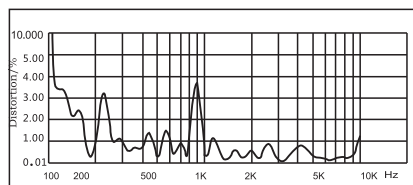


Technical parameters

FREQ. RESPONSE (dB SPL, 1W, 1m)



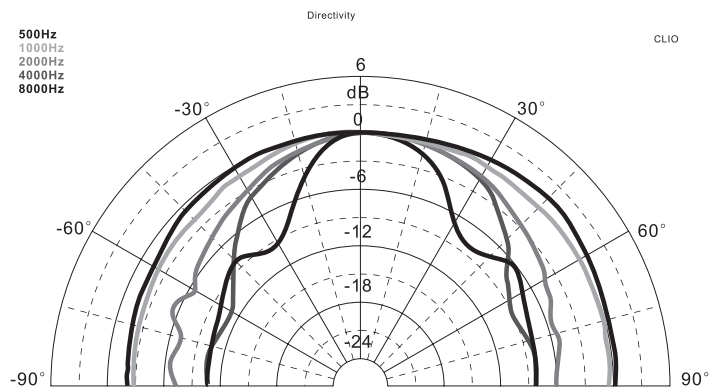
DISTORTION (THD < 1.5% 1W, 1m, 200Hz-10kHz)



Coverage angles

Dispersion on planes H, V and table

Parameters	500 Hz	1 KHz	2 KHz	4 KHz	8 KHz
Coverage angles H and V (-6dB)	180°	180°	133°	87°	49°
Directivity index Di (dB)	0.5	1.2	4.6	5.9	7
Directivity factor Q	1.1	1.3	2.9	3.9	5



Ref 0 1/3 Octave

File:Dispersione orizzontale e verticale

Model	BP-PA-SP6W-EN
Standards	EN54-24:2008 Loudspeaker for voice alarm system for fire detection and fire alarm system
Environmental class EN54-24	Type A, indoor places
Protection grade EN60529	IP21C
Ways/Speakers/Type	1 way, double cone fullrange Ø156mm, 100V system
Transformer	100V, 6W - 3W - 1.5W
In axis frequency response (± 7 dB)	90-18000Hz
Sensitivity (@1m, 1W)	91 dB SPL (200Hz – 10kHz pink noise)
Coverage angle 1kHz (HxV)	180°
SPL max (@1m, Pmax)	99 dB (200Hz – 10kHz pink noise)
Nominal power	6W
Impedance at 1000Hz	180 Ω (6W) , 310 Ω (3W), 940 Ω (1.5W)
Dimensions	Ø190mm – P=108mm
Hole diameter	Ø 168-172mm
Weight	1.0Kg
Material	Flame retarding ABS
Connections	Ceramic connector and thermal fuse

Notes

Reference axis: axis at the center of the grid and perpendicular to the surface of the grid itself.
Reference plane on the surface of the grid and perpendicular to the reference axis.
Horizontal / vertical plane. Passing through the reference axis perpendicular to the reference plane.