



User Manual

36-PORT GIGABIT MANAGED ETHERNET FIBER SWITCH
BP-SWM8G28F01



Enjoy it.

Commercial Switch User Manual

Packing List

Ethernet switch/PoE switch, 1 pc

Mounting ears, 1 pair

Installation accessories, 1 set

AC power line (only for AC input), 1 pc

DC power adapter (only for DC input) , 1 set

User manual, Warranty card, Certificate of conformity, 1 pc

RJ45 to DB9 adapter cable (only for managed switches), 1 pc

1. Installation environment requirements

- Support desktop, wall-mounted and rack-mounted installation.
- The temperature and humidity of the installation site must be kept within the temperature and humidity range where the switch can operate normally. Refer to the "Product Datasheet".
- Grounding of PoE/switch/Ethernet switch is an important step in the installation process. The correct connection of the grounding cable is an important guarantee for the switch to protect against lightning, high-voltage surges, interference, and static damage.

2. Lightning protection requirements

- Do not use overhead wiring outdoors, otherwise the equipment may be damaged by lightning. Please use underground wiring or steel pipe threading.
- Before turning on the power, the switch must be grounded to ensure that the grounding resistance of the installation environment does not exceed 10Ω , otherwise it may cause damage to the equipment.

3. Pre-commissioning

If the switch needs to be debugged to confirm whether the function is complete, it is

recommended to complete it before the switch is installed in the cabinet or hung on the wall.

3.1. Debugging steps for unmanaged switch (plug and play, no configuration)

- 1) A. The built-in power switch can be directly connected to the AC power cord. B. The external power switch is connected to the DC power adapter and then connected to the AC power supply. Observe whether the switch completes the self-test normally and confirm that the switch has been powered on normally.
- 2) Use a network cable to connect the computer to any Ethernet port/fiber interface of the switch.
- 3) Connect the test equipment, and then use the PC ping packet method to detect whether the port data reception/transmission is normal and whether there is packet loss.
- 4) For PoE switches, please confirm that the connected device supports the PoE power supply and that the voltage and power are within the specified range.
- 5) Before testing a switch using a single-fiber optical module, please confirm that the optical modules at both ends of a single optical jumper must be used in pairs of A end + B end to communicate normally. Before testing a switch using a dual-fiber optical module, please confirm that the two ends of the two optical jumpers must be cross-connected to communicate normally.

3.2. Debugging steps for managed switch

A. First login to the device through the Web network management

Login instructions

- If the Web page displays abnormally, it may be due to the browser version being too low. Please upgrade the browser. Google Chrome is recommended. See the "Web Configuration Manual"

Login steps

1. Power on the switch and confirm that the switch is working properly.
2. Use a network cable to connect the computer to any Ethernet port of the switch.

3. Configure the computer's IP address to be in the same network segment as the default IP address of the switch.
4. Open the browser on the computer, enter 192.168.2.1, press the Enter key to display the Web network management login interface, and enter the user name admin and the password system. Click "OK" or press the Enter key to enter the Web network management configuration interface.
5. Configure the switch. The Web network management configuration interface provides basic and optional configurations of the device. See the "Web Configuration Manual"

B. First login to the device through the Console port

Pre-login instructions

- The Console cable is shipped with the device. Do not connect cables from other manufacturers to avoid damaging the product.
- Please prepare third-party terminal emulation software (such as Secure CRT software). Please refer to the software's user guide or online help for usage instructions.

Login steps

1. Power on the switch and confirm that the switch is working properly.
2. Use a console cable (RJ45 to DB9 adapter) to connect the computer (PC) to the console port of the switch.
3. Open the terminal emulation software on the computer, create a new connection, and set the connected port and communication parameters. The communication parameter configuration of the computer terminal should be consistent with the default configuration of the switch console port. The default configuration of the switch console port is as follows:
 - Transmission rate: 115200
 - Data bits: 8
 - Check mode: None

- Stop bit: 1
 - Flow control mode: None
4. Press Enter until the emulation terminal prompts the user to enter the user name and password. The default user name for the first login is admin and the password is system.
- The password entered in interactive mode will not be displayed on the terminal screen.

Enter commands to configure the device. For more information, see the CLI Command Configuration Manual.

4. Switch installation

- It is forbidden to install the switch with power on.

Installation steps

- **Desktop**

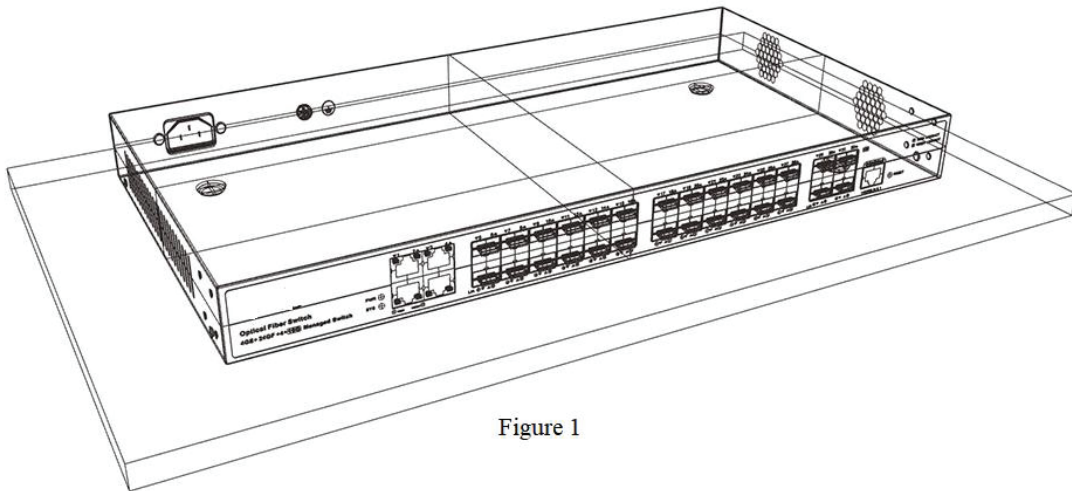


Figure 1

Step 1: As shown in Figure 1, place the switch on the desktop and ensure that at least 10cm of space is reserved on both sides of the switch vents so that the switch can be well-ventilated and dissipated.

- **Wall-mounted**

Step 1: As shown in Figure 2, find the mounting ears and screws (M3*5mm) from the accessories of the switch, then put the switch upright and fix the mounting ears on

both sides of the machine with screws.

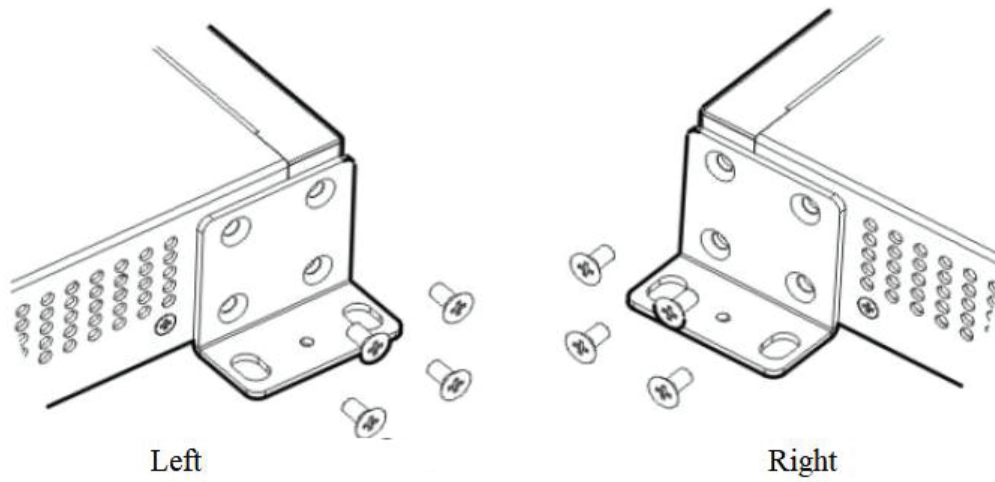


Figure 2

Step 2: As shown in Figure 3, put the switch in a suitable installation position. If the installation wall is a wooden board, use self-tapping screws to fix it. If the installation wall is a concrete wall, you need to drill holes + swelling screws to fix it.

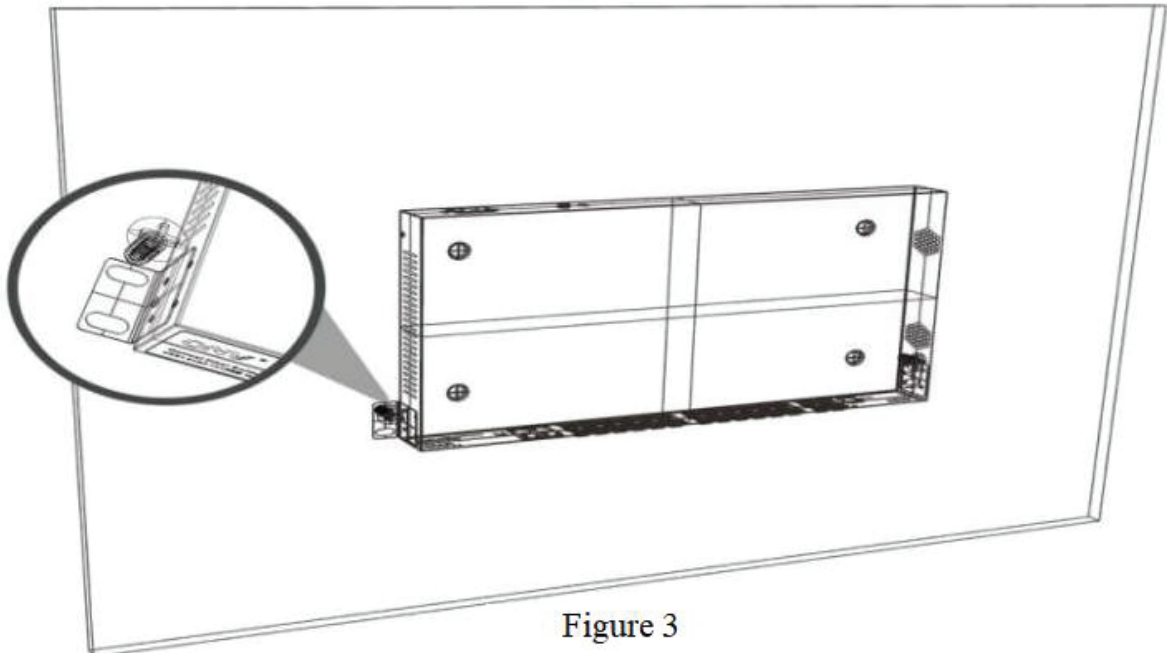


Figure 3

■ **Rack-mounted**

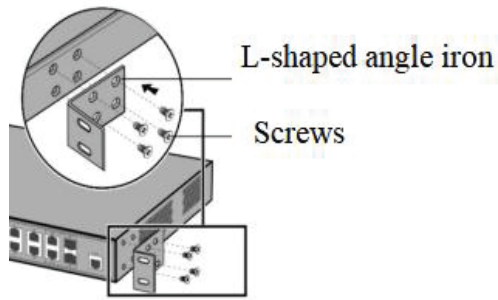


Figure 4

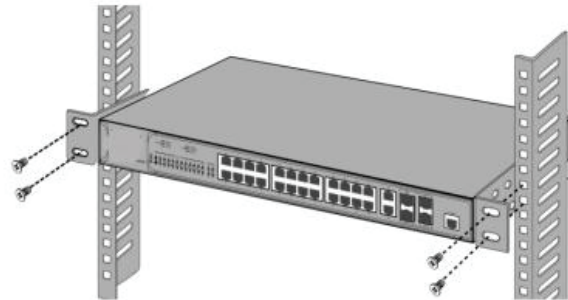


Figure 5

Step 1: As shown in Figure 4, first fix the mounting ears on both sides of the switch with screws.

Step 2: As shown in Figure 5, put the switch in the appropriate position of the standard cabinet, and then fix it on the rack.

5. Indicator and button function table

Symbols	Indicator Function	Status	Status Description	Color
PWR	Work indicator	On	Normal power supply	Green/
		Off	No power supply or fault	Yellow
SYS	System indicator	Blink/On	Working normally	Green/
		Off	Working abnormally or faulty	Yellow
PoE	PoE indicator	On	Power supply normal	Green/ Red
		Blink	Power receiving device fault or overpowered	
		Off	No power supply or the powered device is not connected correctly	
Link	Network indicator	On	Link connection is normal	Yellow/ Green
		Blink	RJ45 port is receiving/sending data	
		Off	Not connected to the network or port failure	
L/A	Fiber indicator	On	Link connection is normal	Green

		Blink	Fiber optic port is receiving/sending data	
		Off	Not connected to the network or port failure	
Speed/ 1000M/2 .5G	Port speed indicator	On	Transmission rate is at the highest	Green
		Off	Transmission rate is not at the highest	
RST/ Reset	Restore button	On	Press and hold for more than 10 seconds and release to restore factory settings	—
E or Extend	250m long-distance transmission	Turn the switch to the corresponding symbol or ON to turn on the function	Enable 10M/250m transmission function of the PoE port	Green
V	VLAN		Enable the corresponding function port VLAN physical isolation function	—
D	Watchdog		Enable the PoE port automatic restart (watchdog) function	—
W	E network management function		One-click network management function	—
B	Storm suppression		Start port monitoring, implement traffic suppression and storm control	—

Warranty Card

Product Name: _____

Product Model: _____

Serial Number: _____

Seller: _____

User Name: _____

Purchase Date: _____

Warranty Records: _____

Certificate

Inspector _____

Inspection Date _____

For Inquiries, Please contact:

Security Shop doo
Vladimira Nazora 1, 11077 Novi Beograd
Tel: +381 11 318 68 68
www.securityshop.rs

BLAUPUNKT and the BLAUPUNKT logo are trademarks of TALISMAN BRANDS (Luxembourg) S.A.R.L. and are used under license from Talisman Brands, Inc. BLAUPUNKT licensees are solely responsible for the BLAUPUNKT branded products manufactured, distributed and sold under license.

www.blaupunkt.com