



User Manual

Wired door sensor BP-DOOR01



For Inquiries, Please contact:

Security Shop
Vladimira Popovica 6/6/A606
11070 Novi Beograd, Serbia
Tell: +381 11 318 68 68
office@securityshop.rs

Imported/Distributed by Security Shop doo
license of Blaupunkt
www.blaupunkt.com
Made in China

Enjoy it.

1. Brief introduction

BP-DOOR01 is a "mini" type wired door magnetic detector, which is an important accessory of our company's wired series host and has the function of instant detection of iron door opening/closing. This detector is a separate trigger type. When the position of the magnet and receiver shifts by more than 3cm, the detector triggers the corresponding defense zone in the alarm host to remind users and alarm centers, and takes corresponding measures to prevent theft.



2. Product technical parameters

Model: BP-DOOR01

Connection method: lead wire connection

Fixing method: Screw mounting

Switch type: Normally open and normally closed

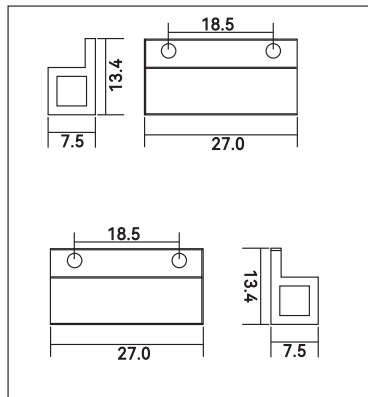
Maximum voltage: $\leq 100V$

Maximum current: $\leq 0.5A$

Power: 10W

Action distance: 15mm (minimum)

3. Installation diagram



Installation instructions:

1. The magnet part is installed on a movable door or window, while the switch part is installed on the frame of the door or window;
2. The two parts of the magnetic switch must be side by side with the switch and cannot be misaligned. The distance between the two parts should be less than 5MM, which is equal to zero. The ideal state is that if the distance between the two parts is greater than the operating distance of the product after installation, the product will lose its function;
3. Magnetic switches should be installed in places that are not easily accessible to humans or animals, such as on the top or above;
4. The load through the magnetic switch cannot exceed the calibrated value.