



User Manual

100V WALL MOUNT SPEAKER
BP-PA-SP20W-WM



For Inquiries, Please contact:

Security Shop
Vladimira Popovica 6/6/A606
11070 Novi Beograd, Serbia
Tell: +381 11 318 68 68
office@securityshop.rs

Imported/Distributed by Security Shop doo
license of Blaupunkt
www.blaupunkt.com
Made in China

Enjoy it.

Introduction

Thanks for using our speaker products. All our products are tested strictly before leaving the factory, with guaranteed quality.

Our speakers are widely used in such places as schools, gymnasiums, square halls, parks, parking lots, railway stations, airports, villa communities and mall supermarkets, etc., and they will be your ideal choice for public address system.

For better installation, commissioning and use of the product, please read this manual in detail before installation.

Profile of Product

Product features

- Fashion minimalist design aesthetic atmosphere, white black for choice;
- The intergration of professional wall design, fine appearance, sophisticated high-grade filing.
- Focus on sound quality, inverse-phase type design, and equipped with high pitch and low pitch double unit, clear sound level, mellow, transparent, clear and bright, strong bass;
- Rear power adjustable knob, free choice of input mode.

Material characteristics

Mesh: made of 1060 pure aluminium, subject to hardening and anti-oxidation treatment, not easy to cause deformation, and never get rusty.

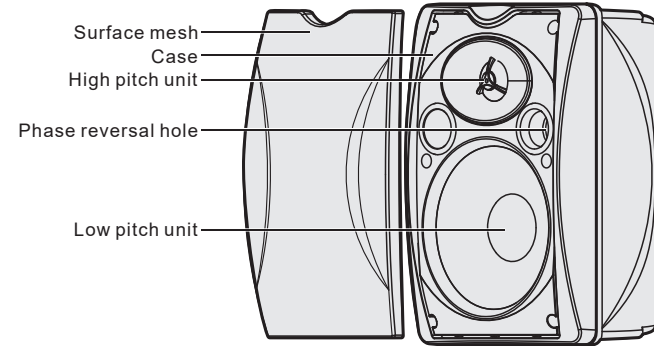
Box body: made of UL94V-0 grade fireproof thickened ABS material, durable in use, safe and reliable.

Driver unit: treble diaphragm is made of natural silk film; and bass diaphragm is made of polypropylene material, 3-3.5 inches magnetic circuit design.

Mounting bracket: precision rust-proof treatment.

project	Specifications	BP-PA-SP20W-WM	
Acoustic system	Speaker unit	4" × 1, 1" × 1	
	Sensitivity (1m, 1W)	90±2dB	
	Max. SPL(1m)	103±2dB	
	Frequency response	95Hz-20KHz	
	Rated power	20W	
Other specifications	Input	Constant voltage	70V/100V
		Constant resistance	8Ω
	Dimension (H×W × D)	255×176×170mm	
	Net weight	2.6kg	

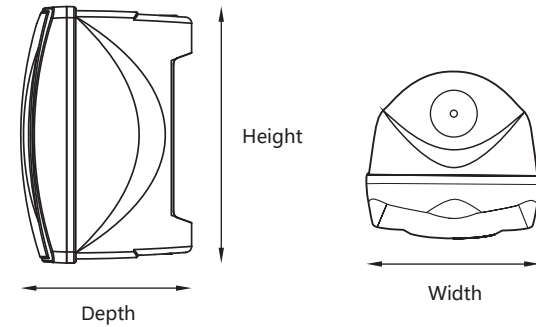
Product Information



Wall mounted speaker (main box)

Packing List

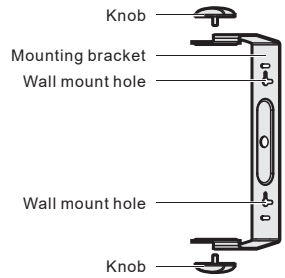
Component	Quantity
Wall mount speaker (pair)	1
U-shape bracket	1
Product specification	1
Certificate of quality	1
Warranty card	1



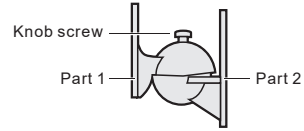
Model	Height	Width	Depth
BP-PA-SP20W-WM	255	176	170

Product dimension

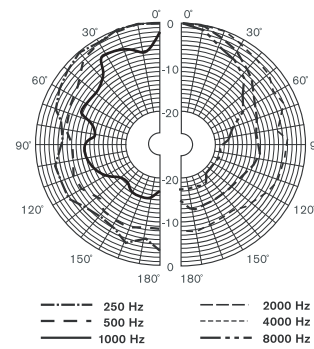
(unit: mm)



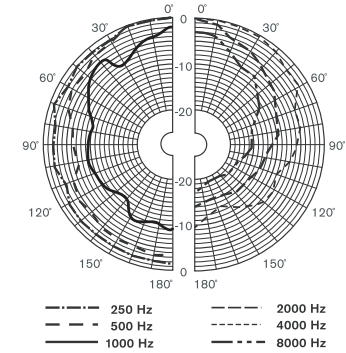
U-shape bracket



Multi-angle adjustable bracket
(only support purchasing for DSP8063)



BP-PA-SP20W-WM
Vertical directivity pattern

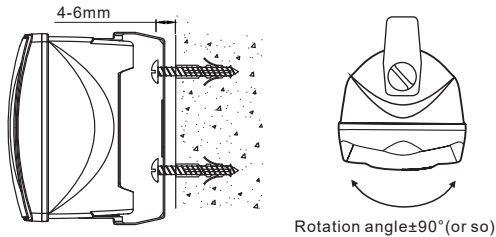


BP-PA-SP20W-WM
Horizontal directivity pattern

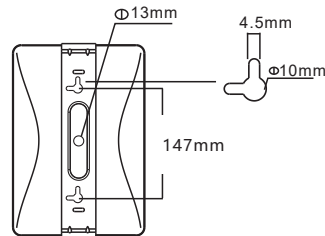
Installation

Suggestions for the installation position of the speakers: distance to the ground of the speaker is recommended at 1.8-2 m, the best play interval between the speakers is within 5 meters.

U-shape bracket installation



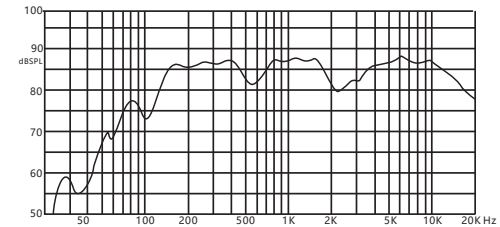
Vertical installation



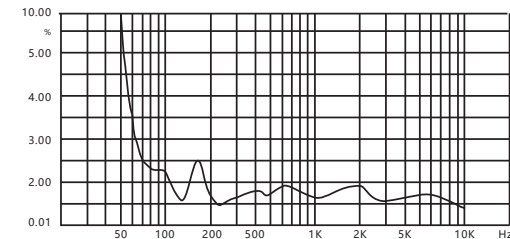
Space between bracket installation holes

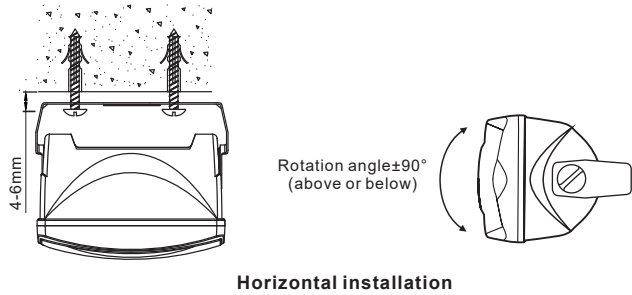
Technical Parameters

BP-PA-SP20W-WM
Frequency response characteristics
(dB SPL, 1W, 1m)



BP-PA-SP20W-WM
Distortion characteristic
(THD < 5% 1W, 1m, 100Hz-10kHz)

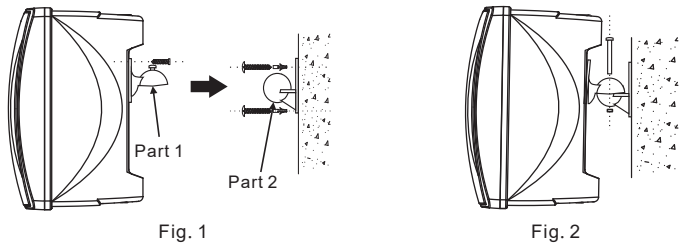




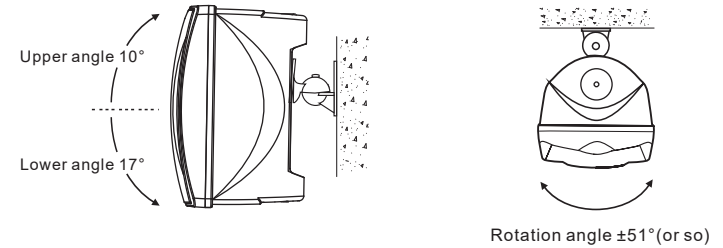
This bracket supports vertical and horizontal two installation methods, please choose the best way that meets your needs to install.

- ① In accordance with the bracket installation holes space diagram, select the appropriate location to install two 4mm diameter nail on the wall that needs to install the speaker, clearance between the nail cap and the wall is 4-6mm.
- ② Connect the speaker with the audio cable.
- ③ Hang on the speaker, adjust the angle of the speaker, and tighten the knobs on both ends of the bracket and check whether the installation is solid and reliable.

Multi-angle adjustable bracket

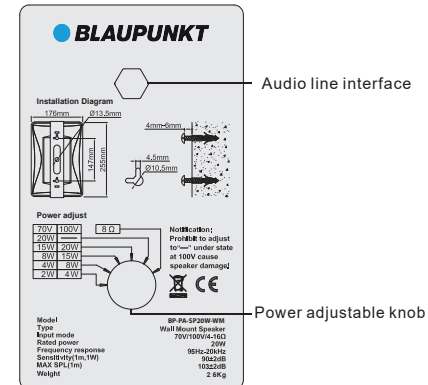


- ① Unscrew the multi angle adjustable type bracket knob screw firstly, separate part 1 and part 2. Fix the speaker and the part 1; select the appropriate position on the wall to fix the part 2. (Fig. 1)
- ② Connect the speaker with the audio cable.
- ③ Cover part 1 of the speaker on the sphere of part 2; adjust the speaker angle, fix the part 1 and part 2 with a knob screw firmly. (Fig. 2)



Rear Panel Introduction

BP-PA-SP20W-WM Power adjustment knob



Power Terminal	Voltage	Constant voltage		Constant resistance
		70V	100V	8Ω
Black---white		20W	—	20W
		15W	20W	
		8W	15W	
		4W	8W	
		2W	4W	

- ⚠ Notification:**
When the audio line is the constant voltage, prohibit the knob to the 8Ω.
Prohibit to adjust to "—" under state at 100V cause speaker damage!