

## User Manual

Tripod Turnstile BP-TT303



For Inquiries, Please contact:

Security Shop  
Vladimira Popovica 6/6/A606  
11070 Novi Beograd, Serbia  
Tell: +381 11 318 68 68  
[office@securityshop.rs](mailto:office@securityshop.rs)

Imported/Distributed by Security Shop doo  
Licensed by Blaupunkt, 31785 Hameln/ Deutschland  
Delivery and After Service shall only be covered within Serbia  
[www.blaupunkt.com](http://www.blaupunkt.com)  
Made in China

*Enjoy it.*

Dear User:

Thanks for your trust. Please read this user manual carefully before using ankuai tripod turnstiles. The manual includes: main functions (our own advantages), dimensions, parameters, main board wiring diagram, installation instructions, testing, and packing list.

The user manual can help you to know more details about ankuai theory, using guide, matters need attention. We should use the tripod turnstile in right way to ensure the working life. The user manual also analyzes some problems which maybe appear during using. And you can find out the way to solve each problem in the manual.

At the same time, we sincerely hope that you can give us some suggestions to make our barrier gates better and better. Thanks!

Product introduction -----	3
Appearance and dimension-----	4
Working principle-----	5
Parameters-----	6
Wiring diagram and parameter setting-----	7
Installation and equipment instructios-----	8
Maintenance-----	9

## 1.Product introduction

AK-T303 bridge type tripod turnstile is a new generation of access gate that is carefully designed and manufactured by our company that can adapt to modern "safe, fast, efficient, and high quality" management. The exterior of the whole product is made of 304 stainless steel that never rusts. The appearance is beautiful and generous, durable, and its high standard, high quality, high integration characteristics and fashionable appearance give people a noble, elegant, refreshing and pleasing feeling, so that it can be applied to a variety of places, it is the first choice for hotels, schools, garden villa communities, enterprises and institutions and other occasions.

### 1.1.Features

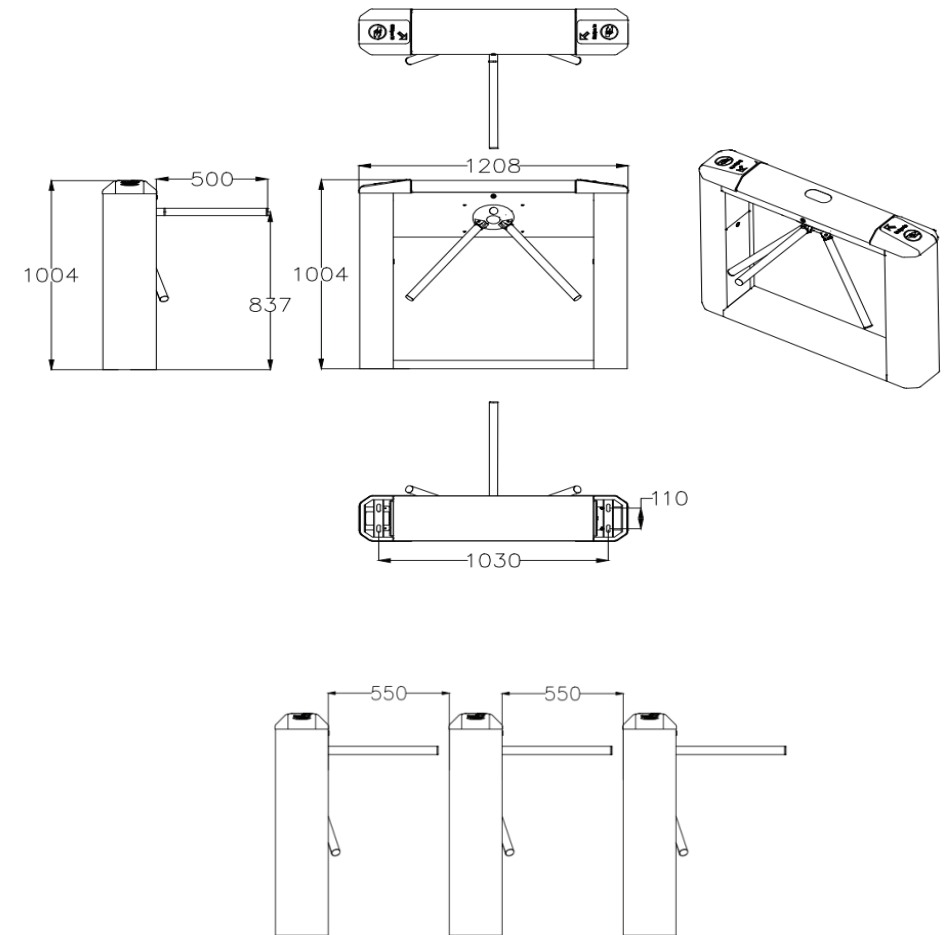
1.1.1.The cabinet is sturdy, durable and waterproof, and can be used in outdoor environments.

1.1.2.In the event of a power-off, the lock will be automatically unlocked, allowing free passage, and the lock will be automatically locked after the power is turned on, and the arm will be manually lifted and you can return to normal use.

1.1.3.Buttons can be used to control the channel switch. Free passage in both directions or controlled at the same time, free passage in one direction or controlled in one direction.

1.1.4.The card reader device is generally equipped with a controller, which is convenient and simple to connect and use. If you want to use card readers and controllers from other manufacturers, it is also possible.

## 2.Appearance and dimension



Note: This model can be freely combined into single-channel, dual-channel, and multi-channel. The standard passage width of this model is 550mm.

### 3.Working principle

After power on, the buzzer will beep for 0.2 seconds, indicating that the device is in working state.

The status light STATE will flash at a rate of 0.5 seconds.

At the same time, electromagnets in the entrance and exit directions are closed, and the light board is red X on.

After reading card in the entrance direction, the status light changes to a flashing frequency of 0.2 seconds, the electromagnet is open, the entrance direction is indicated as a green arrow, the entrance direction is open, and the boom can be rotated. After the person passes, the electromagnet will close and the green arrow on the direction indicator will turn off. If the person does not pass after the reset time, the device will reset and the electromagnet will close. The direction indicator turns red X means no traffic is allowed. After reading the card in the exit direction, the status light changes to a flashing frequency of 0.2 seconds, the electromagnet is open, the exit direction is indicated as a green arrow, the exit direction is open, and the boom can be rotated.

After the person passes, the electromagnet will close and the green arrow on the direction indicator will turn off. If the person does not pass after the reset time, the device will reset and the electromagnet will close. The direction indicator turns red X means no traffic is allowed. If both entrance & exit get open signal, turnstile will open according to signal time.

### 4.Parameters

Material: SUS304

Dimension: 1208\*244\*1004

Voltage: 220V+10% , 50HZ/60HZ

Input voltage: +24V level signal or pulse signal greater than 100ms

Drive current: less than 10mA

Arrow indicator light: circuit 1 voltage control or high/low level control indicator

Input port: circuit 2 opening signal

Working temperature: -30°C ~ 80°C

Relative humidity: ≤95%

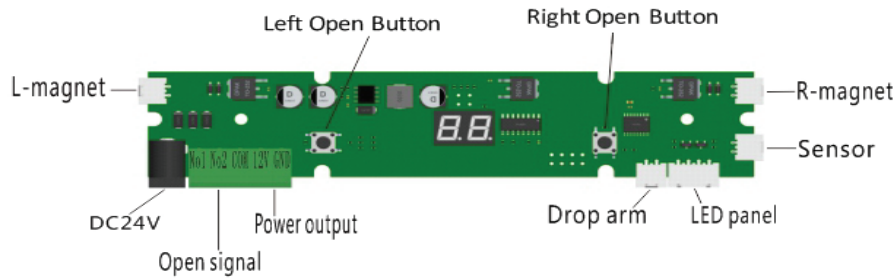
Arm: 500MM

Arm Turning: Uni-direction or Bi-direction

Reset time: 10s (default)

Emergency measure: free passage after power cut

### 5.Wiring diagram



#### 5.1.Control board parameter/Description of gate opening port

5.1.1.NO 1: Right open signal

5.1.2.NO 2: Left open signal

5.1.3. COM: Common

Menu	Function	Value Range	Default Value	Description of Value
1 - X	Reset Time after Open	1 ~ 9	4	Waiting Time=Vlue x2 seconds
2 - X	Memory Function	0 ~ 1	0	0 Close , 1 Open
3 - X	Aging Test	0 ~ 1	0	0 Close , 1 Open
4 - X	Sensitivity of Limited Switch	1 ~ 4	1	The bigger value, the lower sensitivity

- ⚠ Warning: 6A power breaker is needed.



Left open/Function

Right open/Increase and minus

#### Operation Instruction

- 1.Long press left open &right open button for 3 sec to get in menu.
2. Press left open/function button to change menu and show value  
Press right open/Increase and minus button to revise parameter.
3. Press left open/function button for 3 sec to save setting when parameter is displaying.
4. Press left open & right open button for 1 sec to quit the menu

### 6.Installation Notes

6.1. After fixing the cabinet, insert the [Hub] into the main shaft of the turnstile, align it with the corresponding holes and fix it with M10\*45 hexagonal socket head bolts, then it can be used normally.

6.2. To disassemble the card box, loosen the 3 wing nuts on the bottom plate of the card plastic box to complete the disassembly.

6.3. Connect the reader to the power supply according to the instructions, and then it can be used.

#### Equipment instructions

Electromagnet test and direction indication test

When the equipment is in working condition: press the right open button, right electromagnet is NO, and the green arrow of the direction indicator board will be on, loose it, electromagnet will close back and the green arrow will change to red X. Press the left open button,

left electromagnet is NO, and the green arrow of the direction indicator board will be on, loose it, electromagnet will close back and the green arrow will change to red X. Two buttons cannot be pressed at the same time. If pressed at the same time, only one response will be responded. If the button is pressed first, the response will be the first.

## 7. Maintenance

### Product maintenance

- 7.1. The housing of tripod turnstile is made of 304 stainless steel and is integrally stamped and formed. External reasons may cause scratches and rust spots on the surface. Use sandpaper and green gauze or putty powder to clean the chassis, and wipe along the long lines during sanding to avoid damage, the surface can be coated with anti-rust oil.
- 7.2. Always use a soft fabric to wipe off the dust and oil on the surface of the chassis to keep it clean.
- 7.3. Regularly check the wiring of the control board whether there are looseness, poor contact, etc., and keep the control equipment in a ventilated and dry place. Do not wash or soak in water to ensure the stability of its performance and increase the service life of the product.
- 7.4. Regularly check the connection of each connection part and moving part of the chassis, such as the movement mount and the turntable connection. Connect, plastic products, and other loose parts to be tightened to maintain normal operation.

Notice: Must off the power before housing care.

Maintenance should be done by professional stuffs.

## Packing List

No.	Name	Unit	Quantity	No.	Name	Unit	Quantity
1	Turnstile	set	1	4	Expansion screw	pcs	4
2	Certificate	pcs	1	5	Power	pcs	1
3	AKT303 Manual	pcs	1	6	Key	pcs	2

## 8. Service term of after-sale

From the date of purchase, if there are quality problems under normal using, the whole machine will be free of charge for maintenance in one year.

- 8.1. Warranty service: If there is a quality problem within the warranty period, the user can go to the local after-sales service center to enjoy the warranty service.
- 8.2. Maintenance service: Out of warranty period or exclusions duty products, if there is a quality problem, the user can go to the local after-sales service center or entrust a dealer to request maintenance service.
- 8.3. The following situations are not covered by the free warranty.
  - A. The user does not install device and use in accordance with the instructions, causing damage to the product.
  - B. The power supply is unstable, exceeds the specified range of the product, or does not meet the national safety power standard, which causes the product to be damaged.
  - C. The product is damaged due to irresistible factors such as natural disasters.
  - D. It has been repaired and modified by a service unit or individual not authorized by the company.
  - E. The appearance is damaged due to improper use by the user.

## Warranty Card

Client`s name		Telephone	
Client`s address			
Purchase date		Product number	

- 1.This card must be completed and it will take effect after being stamped with the seller's seal.
2. This product is guaranteed for free within one year, and only the material fee will be charged for lifetime maintenance after the warranty period.
3. Use in violation of this product manual or disassemble the machine by yourself is not covered by the warranty.



### Statement:

- 1.Due to product improvements/changes, the contents of the manual may be changed without notice.
- 2.The final interpretation right of this manual belongs to Guangdong AnKuai Intelligent Technology Co., Ltd.