

HYUNDAI
ELECTRONICS

RISER DISTRIBUTOR

HYU-IN-AP4002

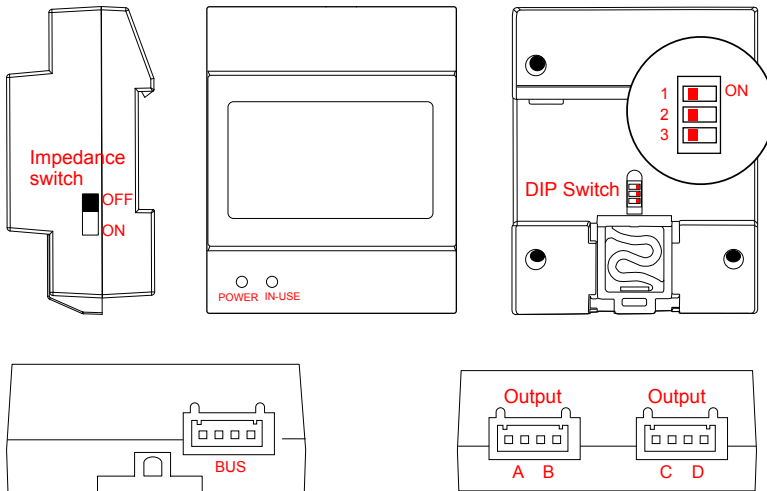
USER MANUAL

1. Description

The HYU-IN-AP4002 is a 4 output video amplifier.

- There are 2 working modes: riser mode and distributor mode;
- Separate isolation protection without affecting another devices on bus system;
- Short-circuit indication for convenient maintenance;
- Periodic self-detection mechanism for recovery.

2. Parts and Functions



IN-USE Status indicator	POWER Video match indicator
Standby: off Device working: on Power protection: slow flash Device search mode: fast flash	not match: red match: orange

- Impedance Switch:** Video match switch.
- Bus:** Input port, bus connection port.
- A,B,C,D:** Output port, connect to indoor monitors.

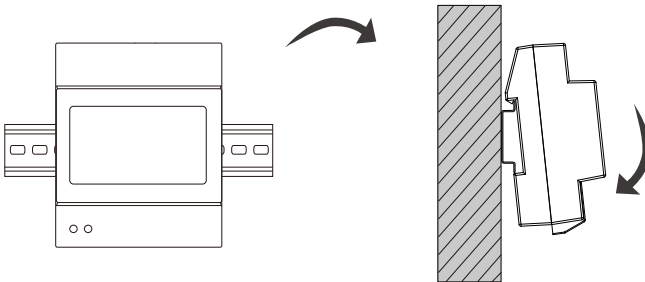
DIP Switch: 3 bit DIP switches, about the DIP settings, see follows:

	ON	OFF
DIP1	the unit work in riser mode	the unit work in distributor mode
DIP2	the unit start to search the local monitors (for monitors with built-in power)	the unit stop to search the monitors (in normal use)
DIP3	Gain High	Gain Auto

Note:

- Operation mode: Protection mode will be activated once its connected devices are short circuited, and power supply for ABCD outputs will be turn off, the flashing in-use indicator shows the distributor is in the protection mode.
- Self-detection: System will auto check whether the short circuit is fixed or not, then recover the power supply, and in-user indication will be turn off;
- Detection period: Self-detection will be happened regularly according rules, and in-use indicator will flash rapidly three times when check happens;
 - 1st detection will be happened in 10 seconds after short circuit;
 - 2nd detection will be happened in 60 seconds after 1st detection;
 - 3rd detection will be happened in 5 minutes after 2nd detection;
 - 4th detection will be happened in 10 minutes after 3rd detection;
 - 5th hereafter detection will be happened every 30 minutes;

3. Unit Mounting

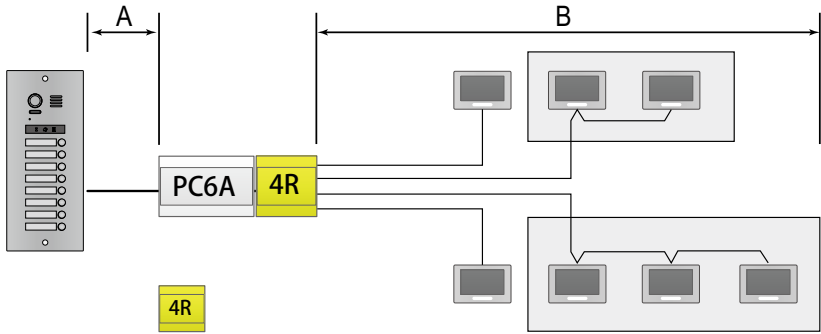


DIN Rail Mounting

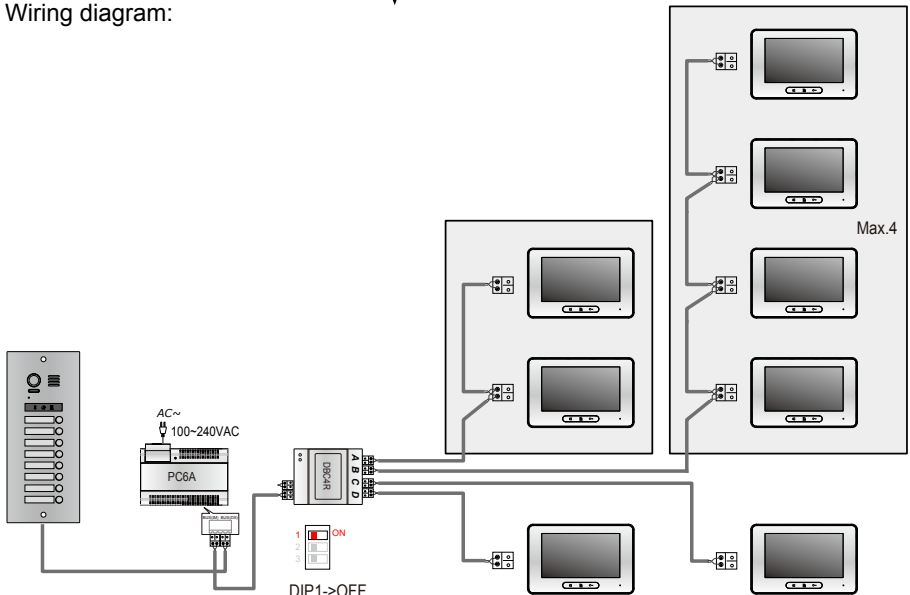
4. System Wiring with HYU-IN-AP4002

1. Basic IN-OUT expansion wiring(distributor mode)

Cable Usage	A	B
Twisted cable 2x0.75 mm ²	75	65
Twisted cable 2x1.00 mm ²	80	70



Wiring diagram:

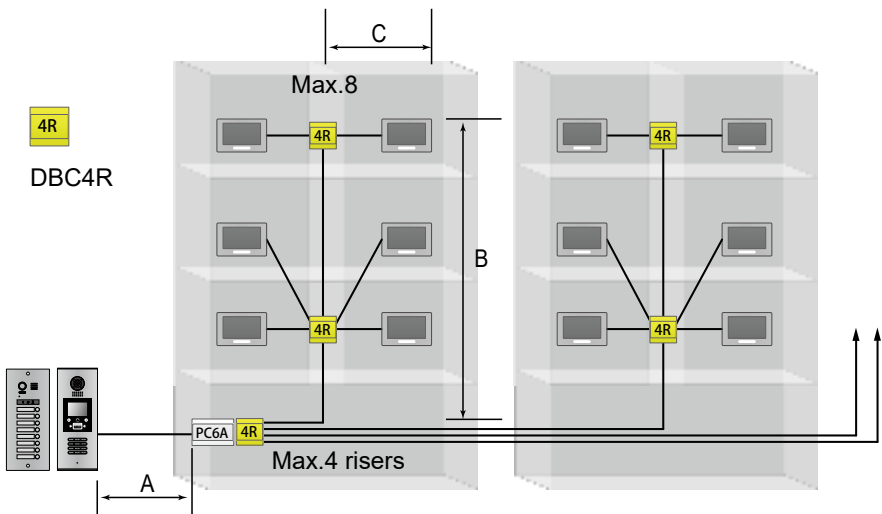


* Max.8 monitors can be connected for every HYU-IN-AP4002

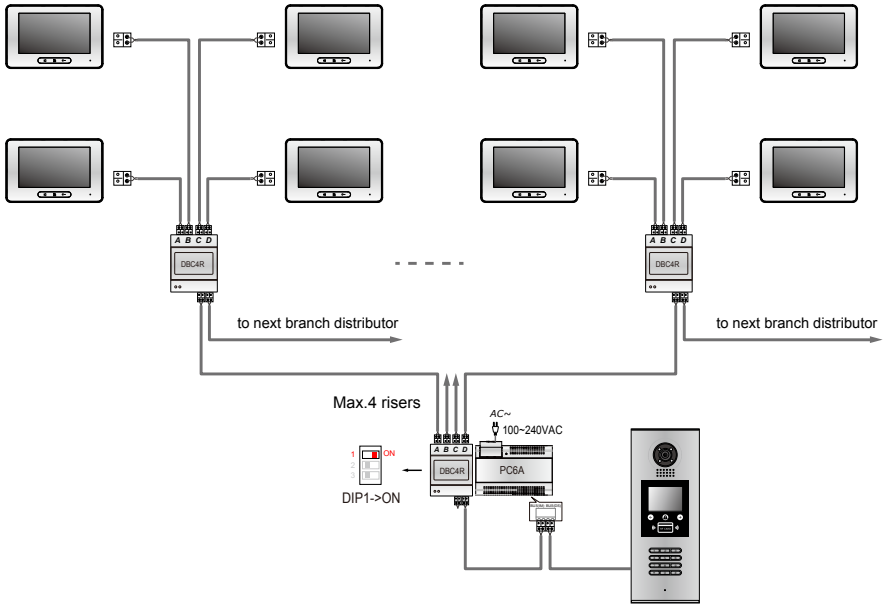
2. Multi risers wiring (riser mode)

Cable Usage	A	B	C
Twisted cable 2x0.75 mm ²	75	65	30
Twisted cable 2x1.00 mm ²	80	70	35

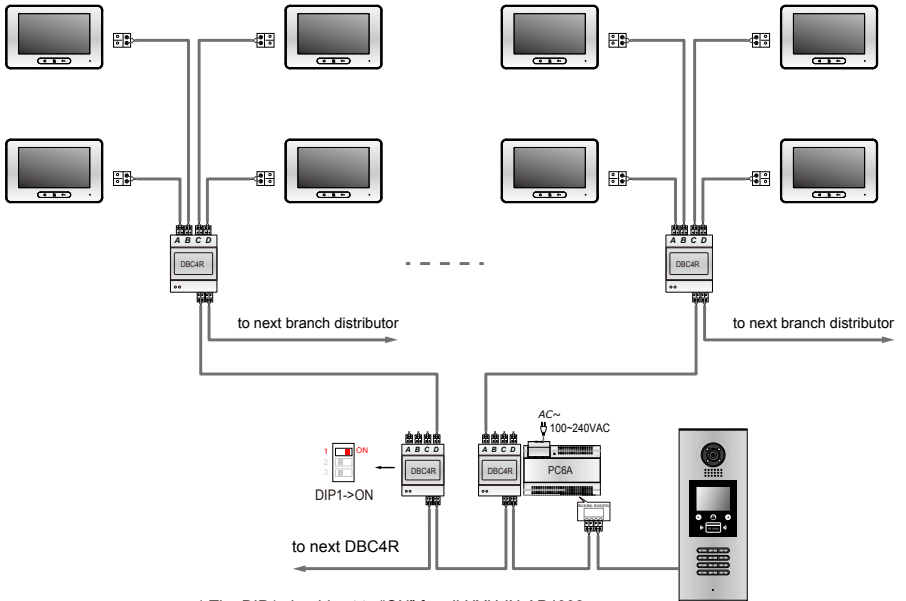
Type 1



Wiring diagram:

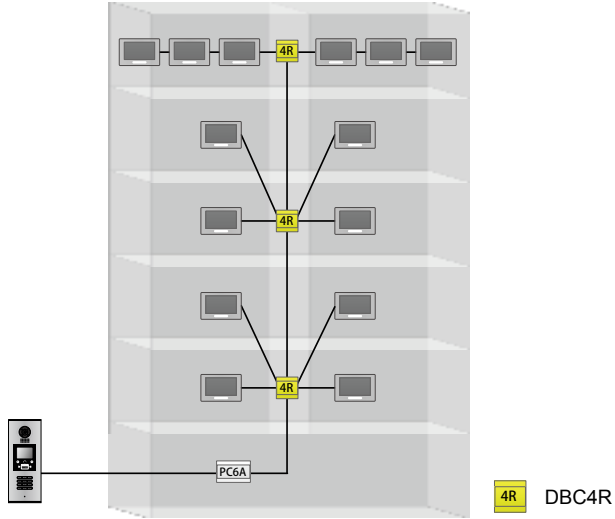


Wiring diagram:



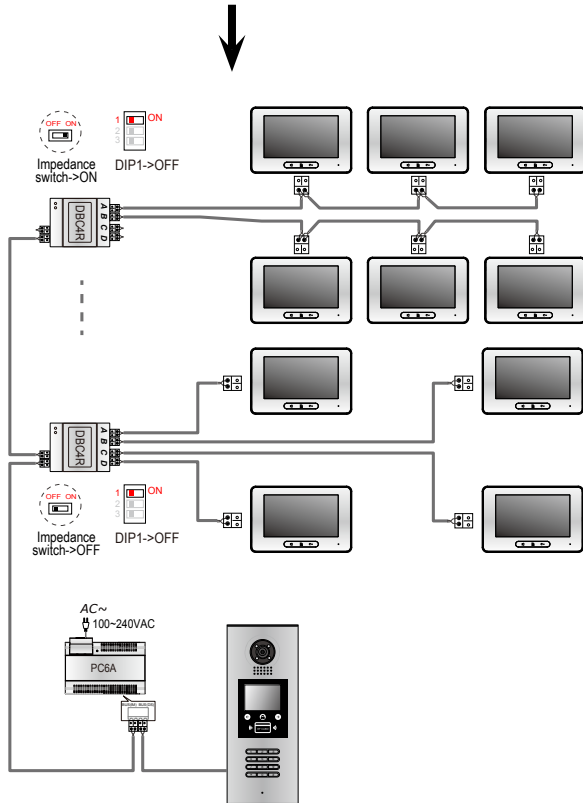
* The DIP1 should set to "ON" for all HYU-IN-AP4002

3.Multi monitors wiring(distributor mode)



Wiring diagram:

* The impedance switch should set to "ON" for the last HYU-IN-AP4002 at the end of the bus.



5. Specification

Power Supply :	DC20~30V
Working Temperature:	-10 ⁰ C~+40 ⁰ C
Wiring:	2 wires (non-polarity)
Dimension:	89(H)×71(W)×45(D)mm
Standby Current:	4~5mA

For Inquiries, Please Contact:

Security Shop
Vladimira Popovica 6/6/A606
11070 Novi Beograd, Serbia
Tell +381 11 318 68 68
office@securityshop.rs