

HYUNDAI
ELECTRONICS

CARD READER

HYU-AC-RES6EM001

USER MANUAL

1. Introduction

The S5-R/S6-R reader is a metal case anti-vandal proximity reader, because of waterproof, it can be mounted either indoor or outdoor in harsh environments.

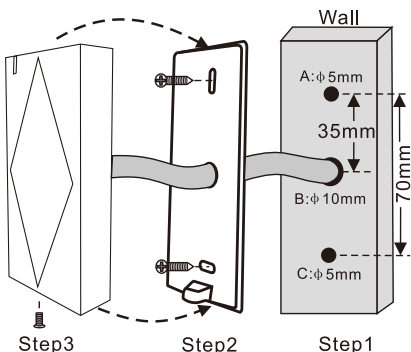
Model	Card Type
S5/S6-R EM	Read 125KHz EM card
S5/S6-R MF	Read 13.56MHz Mifare card (ISO1443A Compatible)
S5/S6-R H&E	Read 125KHz HID & EM cards
S5/S6-RX	Read 125KHz HID, EM cards & 13.56MHz Mifare card (ISO1443A Compatible)

2. Specifications

Operation Voltage	9~24V DC
Standby Current	≤25mA
Frequency	125KHz / 13.56MHz
Read Range	≥ 3CM
Output Format	26 bits Wiegand (default) 26~37 bits available upon request
Operating Temperature	-40°C~60°C (-40°F~140°F)
Operating Humidity	10% to 95% RH
Index of Protection	IP66
Dimension(H x W x T)	103x48x19mm
Net Weight	260g
Shipment Weight	300g

3. Installation

- Drill 2 holes (A, C) on the wall for the screws and one hole for the cable
- Knock the rubber bungs to the holes (A, C)
- Fix the back cover on the wall with 2 screws
- Thread the cable through the cable hole (B)
- Attach the unit to the back cover

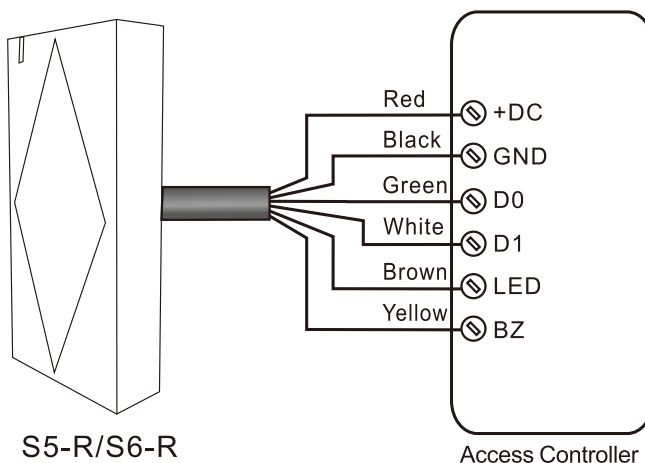


Wiring

Color	Function	Notes
Red	Power	+DC (9-24V DC)
Black	GND	Ground
Green	D0	Data 0
White	D1	Data 1
Brown	LED	Green LED Light Control
Yellow	Buzzer	Buzzer Control

(Remarks: Brown and Yellow wires are optional connections)

Connection Diagram



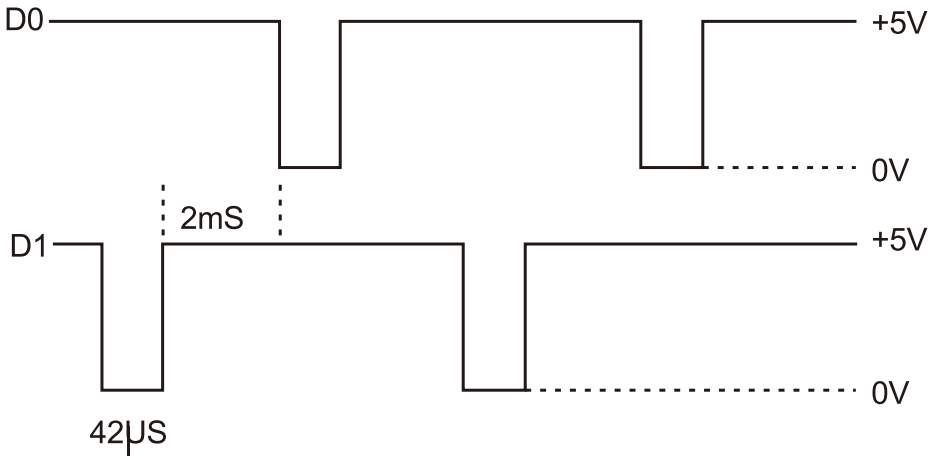
4. Functions Table Sheet

Read Card	The LED light will turn into Green, and the buzzer sounds a beep, at the meantime, the reader outputs the Wiegand signal
External LED Control	When the input voltage for LED is low, the LED will turn into Green
External Buzzer Control	When the input voltage for Buzzer is low, the Buzzer will sound
Wiegand Data Output	Wiegand 26~37 bits range available for the reader , factory default setting is Wiegand 26 bits. HID card can output Wiegand 26~37 bits automatically, EM and Mifare cards are forced to output based on the reader setting

5. Data Signal

Description	Reader Typical Time
Pulse Width Time	42 μ S
Pulse Interval Time	2 mS

The above table shows the wave form of pulse width time (the duration of a pulse) and pulse interval time (the time between pulses) of the Wiegand data output from the readers. (Example 1010)



6. Packing List

Name	Quantity
Reader	1
Manual	1
Screw Driver	1
Wall Fixing Plugs	2
Self Tapping Screws	2

For Inquiries, Please Contact:

Security Shop
Vladimira Popovica 6/6/A606
11070 Novi Beograd, Serbia
Tell +381 11 318 68 68
office@securityshop.rs