

HYUNDAI
SECURITY DEVICE

Remote indicator HYU-FA-RI001

User Manual



GENUINE PRODUCT OF
HYUNDAI CORPORATION

Cautions



ELECTRICAL HAZARD: Disconnect power from equipment prior to making any internal adjustments. Service should only be performed by qualified personnel.



FRAGILE: Inspect the equipment prior to installation. Do not install the equipment if damage is apparent. Do not attempt to disassemble this equipment. If damaged, return to the supplier.



ELECTROSTATIC HAZARD: This is sensitive electronic equipment. Apply safe ant-static practices when handling this equipment.



CIRCUIT LIMITATIONS: The maximum number of detectors connected to a single detection zone is limited by the control and indicating equipment, and may be limited by local regulations.

Introduction

remote indicators provides visual alarm indication for addressable and non-addressable control and indicating equipment detectors when the detector connected to the remote indicator enters the alarm condition.

These instructions provide trained installation personnel with details to install and commission 681 remote indicators for optimum performance.

Preparation

Before commencing installation, ensure all equipment and tools to mount and connect the equipment are available, such as drills, mounting screws, cables and ladders.

Installation

Mounting base

1. Rotate the body anti-clockwise to remove it from the mounting base.
2. Mount the base to the surface using fixing screws that are suitable to securely fix the base to the surface.

Wiring

The terminals accept (0.4 ~ 2.5) mm² conductors.

1. Strip the conductor insulation to expose 5 mm of the conductor.
2. Connect the conductors to the terminals as shown in Fig. 1.



WARNING: Take care to ensure the insulation does not get clamped by the terminal contact.

WARNING: Terminal B should only be used where a current limiting resistor is fitted within the connected device.

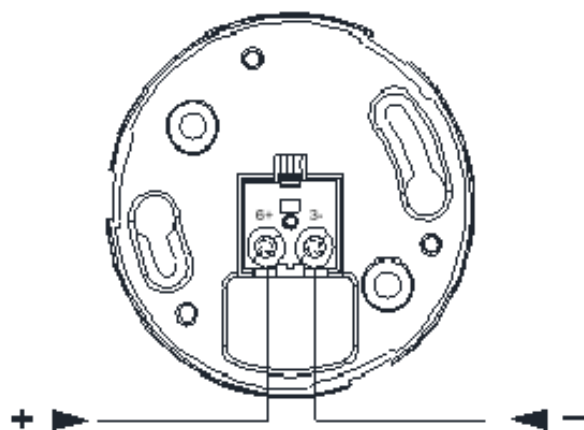


Fig. 1: 681 wiring connections

Assembly

1. Mount the base to the surface.
2. Clip the body to the base (see Fig. 2).

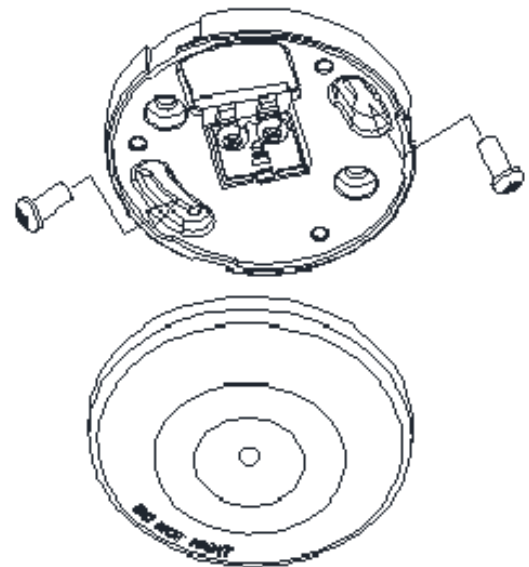


Fig. 2: 681

Commissioning

Remote Indicator

1. Ensure all the alarm signal services, releasing devices and extinguisher systems are disabled during the commissioning period.
2. Connect power to the detector.
3. Set the detector into alarm.
4. Check the remote indicator operates.
5. Reset the control and indicating equipment.
6. Check that the remote indicator is off.

Final Conditions

Ensure all the alarm signal services, releasing devices and extinguisher systems disabled for the commissioning are returned to their previous condition.

HYUNDAI



For Inquiries, Please Contact:

**Security Shop
Vladimira Nazora 1
11077 Novi Beograd, Serbia
Tel: +381 11 318 68 68
office@securityshop.rs**

Imported/Distributed by Security Shop doo
Licensed by Hyundai Corporation Holdings, Korea
Delivery and After Service shall only be covered within Serbia