



User Manual

2 WIRE ADDRESSABLE SOUNDER BEACON
BP-FD-ASIR307



Enjoy it.

BP-FD-ASIR307 Intelligent Sounder Beacon

Read through these instructions before using this device to ensure correct installation and use!

I. Overview



BP-FD-ASIR307 Intelligent Sounder Beacon can give audible after being connected to a bus loop. It can be used with a bus-type fire alarm control panel. After receiving a start command given by the fire alarm control panel following an accident, the Sounder Beacon will begin to work. At this moment, the Sounder Beacon will give a harsh audible alarm signal, to remind the persons on the scene of the accident, the fact that a fire has occurred on the site, quickly and necessity to take related evacuation measures, thus preventing the fire accident from becoming a major one.

The Sounder Beacon may be used to give audible alarms at the scenes of accidents. It is applicable to places like high-rise residential buildings, public places, hotels, amusement buildings, factories, shopping centers, hospitals, schools, office buildings and stock exchanges, and particularly to the places with a low visibility or the possibility of generation of smoke.

II. Product features

- 1) Meet EN54-3.
- 2) Designed with an upper cover and a lower cover and installed on an independent base, it can be installed, debugged and maintained conveniently.
- 3) Suitable for wall and ceiling mount application.
- 4) Highly efficient LED technology and specially designed lens.

III. Technical Specification

- 1) Executive Standard: EN54-3 Type A Sounder
- 2) Loop input: DC24V(20-28V), $\leq 2\text{mA}$ (monitoring status), $\leq 8\text{mA}$ (alarm status)
- 3) Power consumption: $\leq 0.2\text{W}@DC24\text{V}$
- 4) Sound output: $\geq 73\text{dB(A)}@ 1\text{m}$ (667Hz-2000Hz@0.21Hz, Max)
- 5) Flash rate: 1~2Hz
- 6) Flash color: RED
- 7) Protection class: IP21C
- 8) Operating temperature: $-10^{\circ}\text{C} \sim +55^{\circ}\text{C}$ Relative Humidity: $\leq 95\%$ (non-condensing)
- 9) Material Lens/Body: Flame retardant PC/ABS

10)Dimension: $\phi 100\text{mm}\times 100.5\text{mm}$ (with base) , See Fig1.

11)Weight: about 236g

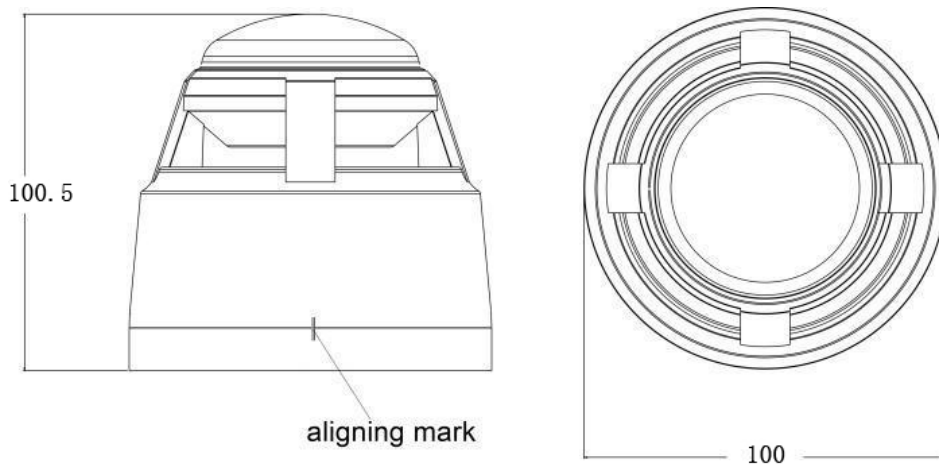


Fig.1

IV.Use and engineering application

- 1) Wiring:See Fig.2.The sounder beacon is subject to a two-wire non-polarity connection: Terminals 1 and 3 are respectively connected with the terminals L1 and L2 of the loop bus of a compatible fire alarm control panel.
- 2) Coding address: The sounder beacon must be encoded address by a special coder(CODER-F900E) before the installation.Fig.2 shows the wiring diagram of the sounder beacon and coder. After wiring, press the “#”key to select “324”mode,set the coder with the coding function, then select the correct address number and press the “RUN/STOP” key to complete the address code setup.(Note: See the User’s Manual of the coder for the detailed operation.)

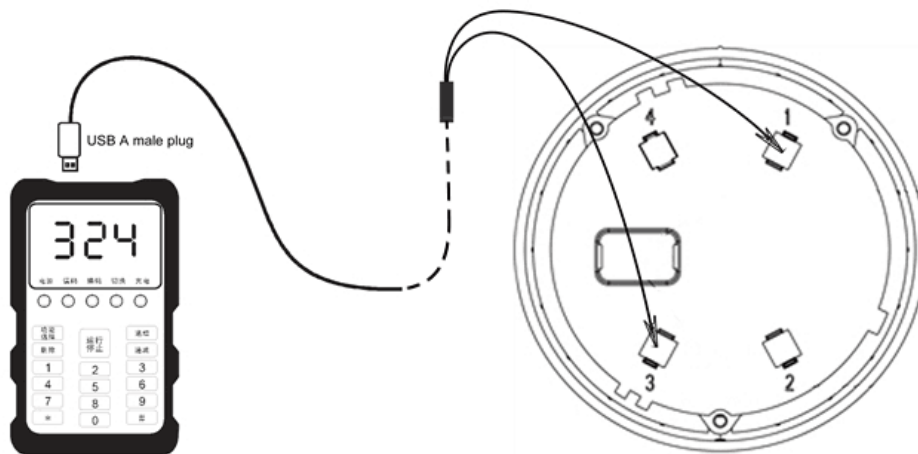


Fig.2

- 3) Application: Fig.3 is a schematic diagram of the connection between multiple sounder beacon with a fire alarm control panel.

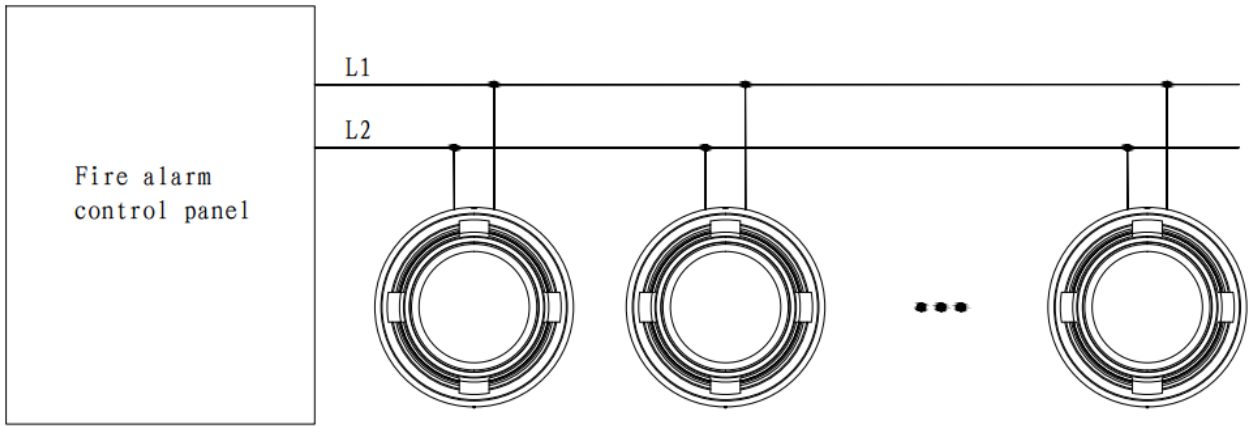
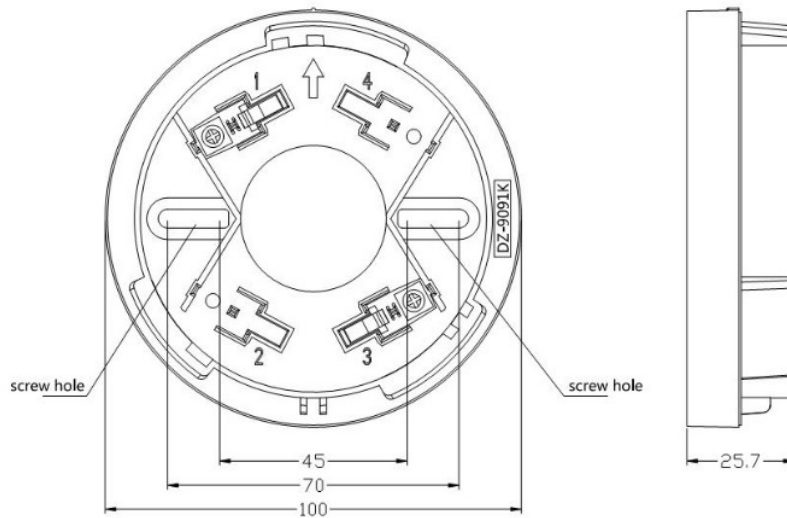


Fig.3

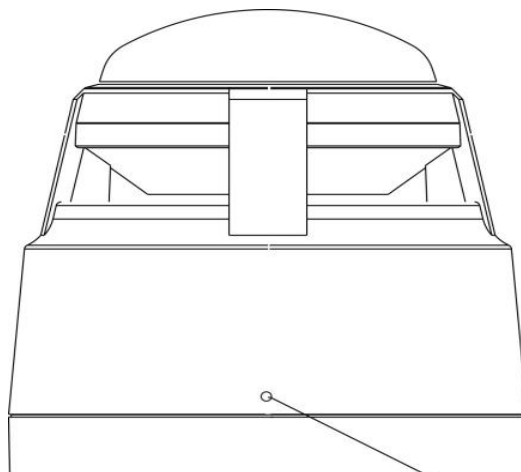
V.Installation



Definitions of terminals (non-polarity Two-wire system) 1->Loop terminal (L1/L2) 3->Loop terminal (L2/L1)

Fig.4 Base and wiring diagram

- 1) Use two M4 screws to fix the DZ-9091K base via the two elliptic screw holes (see Fig.4), then connect the bus cables with the terminal 1&3, finally twist the main body onto the base.
- 2) If the sounder Beacon is required to be tamper-proof, fix it with ST2.9×5 self-tapping screws through the tamper-proof hole (see Fig. 5) on the base.



tamper-proof hole

Fig. 5

VI.Sound Level Data(EN54-3 approved)

Tone1:667Hz-2000Hz@0.21Hz,Max Volume,dB(A)@1m

Angle	Horizontal		Vertical	
	20V	28V	20V	28V
15°	81.2	84.9	81.0	84.6
45°	77.0	80.0	75.0	78.0
75°	83.8	86.9	83.0	86.6
105°	83.5	86.6	83.0	85.7
135°	77.4	80.1	75.3	78.7
165°	80.7	83.2	79.2	82.9

For Inquiries, Please contact:

Security Shop

Vladimira Popovica 6/6/A606

11070 Novi Beograd, Serbia

Tell: +381 11 318 68 68

office@securityshop.rs

Imported/Distributed by Security Shop doo

BLAUPUNKT and the BLAUPUNKT logo are trademarks of
TALISMAN BRANDS (Luxembourg) S.A.R.L. and are used
under license from Talisman Brands, Inc.

BLAUPUNKT licensees are solely responsible for
the BLAUPUNKT branded products manufactured,
distributed and sold under license.

www.blaupunkt.com